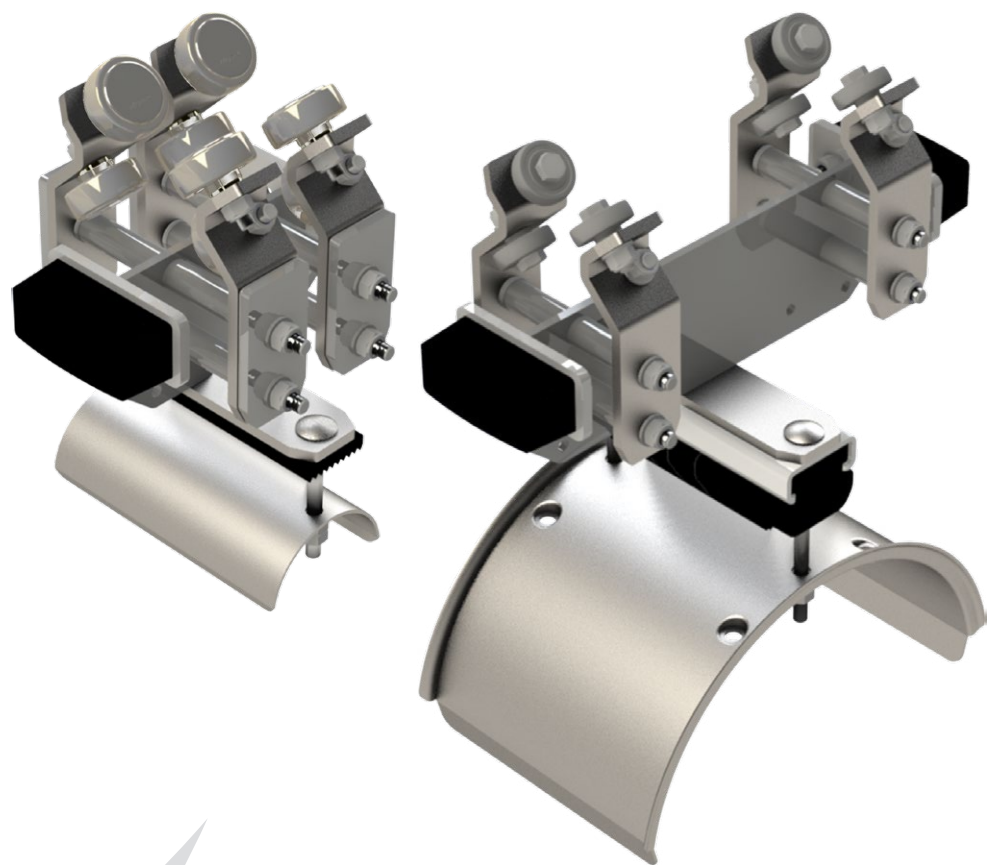


Festoon Systems for Square Rails

Program 0270EX | 0280EX



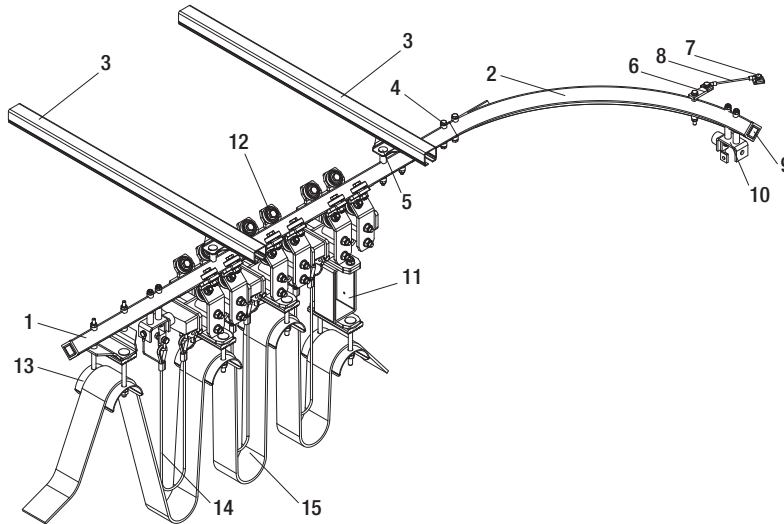
CONDUCTIX
wampfler

Contents

System Layouts	4
Festoon System for Flat Cables with Towing Trolley	4
Festoon System for Flat Cables with Control Unit Trolley	4
ATEX Accessories Program 0270/0280 for ATEX	5
Protective Conductor	5
Protective Conductor Connection	5
Tension Relief Rope/Potential Equalization	5
Ground Terminal Clamp	5
Cable Trolleys Program 0270EX	6
Cable Trolley for Flat Cables Program 0270EX	6
Cable Trolley for Round Cables with Cable Support Ø125, Ø160, Ø200	7
Cable Trolley for Round Cables with Cable Support Ø250, Ø320	8
Control Unit Trolley Program 0270EX	9
Cable Trolleys Program 0280EX	10
Cable Trolley for Flat Cables Program 0280EX	10
Cable Trolley for Round Cables with Cable Support Ø125, Ø160, Ø200	11
Cable Trolley for Round Cables with Cable Support Ø250, Ø320	12
Control Unit Trolley Program 0280EX	13
Project Planning	14
General Notes	14
Conductix-Wampfler Festoon Systems according to ATEX – Areas of Application	14

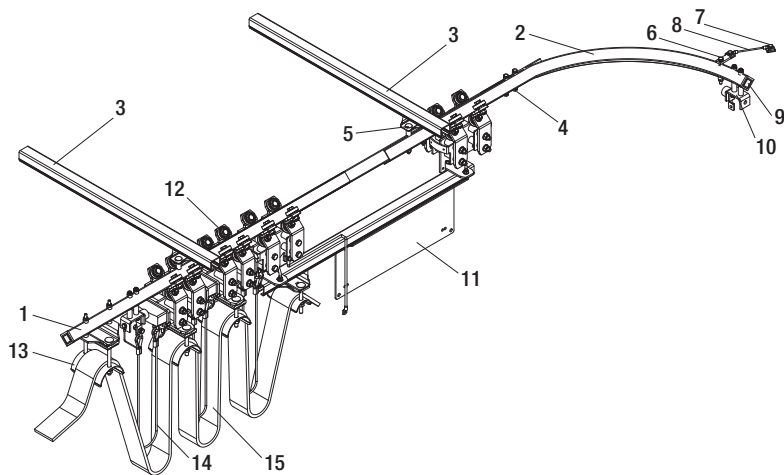
System Layouts

Festoon System with Towing Trolley



- ① Square Rail
- ② Rail Curve
- ③ Support Arm
- ④ Track Coupler
- ⑤ Support Bracket
- ⑥ Ground Terminal Clamp
- ⑦ Protective Conductor Connection
- ⑧ Protective Conductor
- ⑨ End Cap
- ⑩ End Stop
- ⑪ Towing Trolley EX
- ⑫ Cable trolley EX
- ⑬ End Clamp EX
- ⑭ Tension Relief Rope/Potential Equalization
- ⑮ Cable

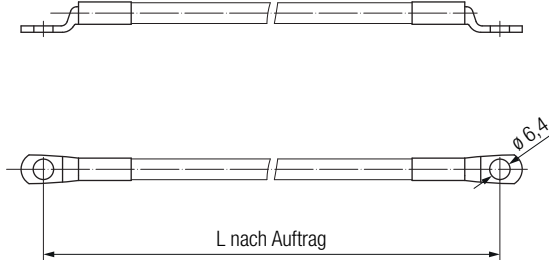
Festoon System with Control Unit Trolley



- ① Square Rail
- ② Rail Curve
- ③ Support Arm
- ④ Track Coupler
- ⑤ Support Bracket
- ⑥ Ground Terminal Clamp
- ⑦ Protective Conductor Connection
- ⑧ Protective Conductor
- ⑨ End Cap
- ⑩ End Stop
- ⑪ Control Unit Trolley Upper Parts
- ⑫ Cable trolley EX
- ⑬ End Clamp EX
- ⑭ Tension Relief Rope/Potential Equalization
- ⑮ Cable

ATEX Accessories Program 0230 for ATEX

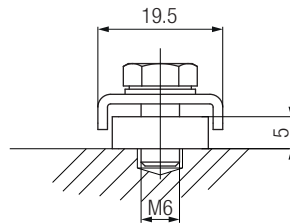
Protective Conductor



Part No.: 02-S215-0006

- Cross section 10 mm²

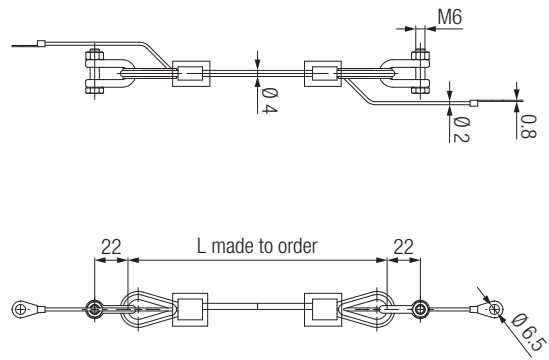
Protective Conductor Connection



Part No.: 02-S215-0002

- Material: galvanized steel

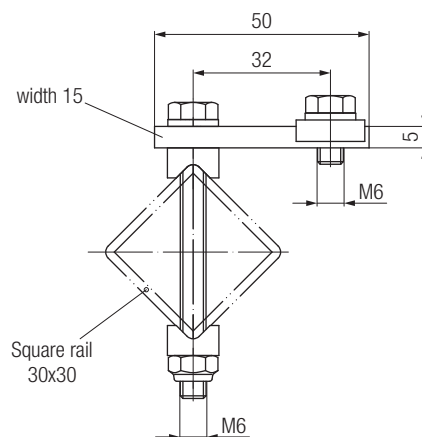
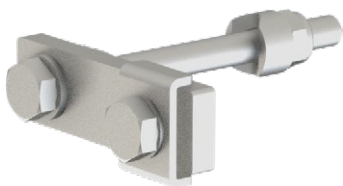
Tension Relief Rope/Potential Equalization



Part No.: 020330-04EX

- Cross section: 4 mm
- Material: galvanized steel

Ground Terminal Clamp



Part No.: 02-E007-0003
(for Program 0270EX)

- Material: galvanized steel
- Weight: 0.070 kg

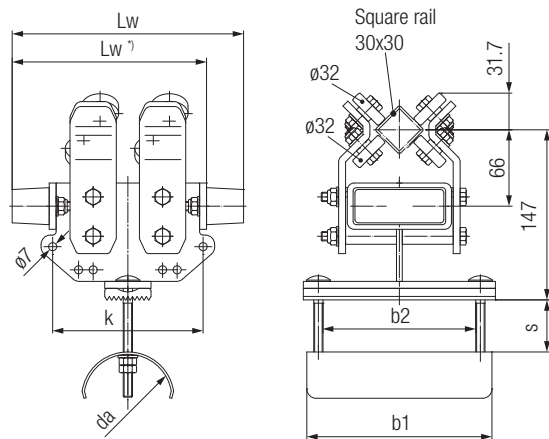
Part No.: 02-E007-0010
(for Program 0280EX)

- Material: galvanized steel
- Weight: 0.080 kg

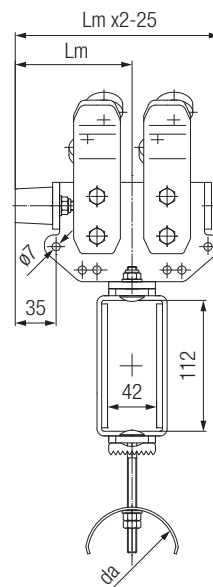
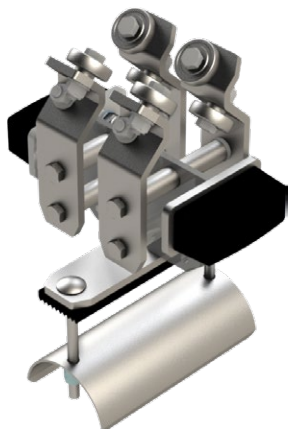
Cable Trolley

Program 0270EX

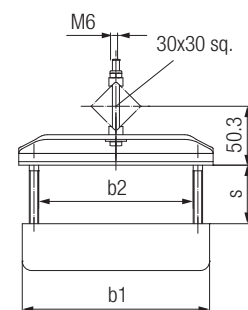
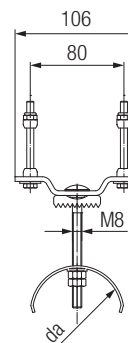
Cable Trolley for Flat Cables



Cable Trolley



Towing Trolley



End Clamp

Technical details

Trolley body and cable supports: galvanized steel
 Fasteners: galvanized steel
 Rollers: ball bearing, galvanized with ZZ-sealing
 Temperature range: -20°C to +50°C
 Max. carrying capacity: 32 kg

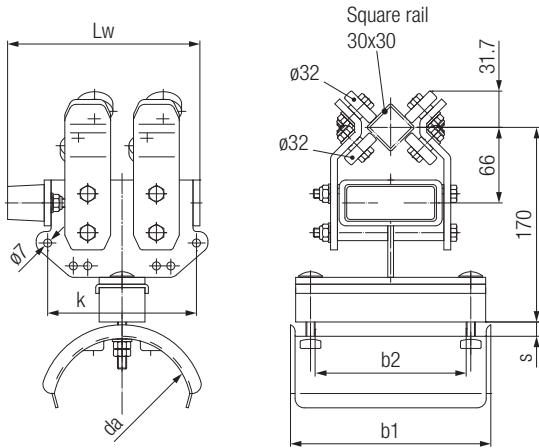
Cable Trolleys Part No.:	[kg]	Towing Trolleys Part No.:	[kg]	End Clamp Part No.:	[kg]	d _a [mm]	l _w [mm]	l _m [mm]	b ₁ [mm]	b ₂ [mm]	s _{max} [mm]	k [mm]
027610-170x100EX	3.49	027620-200x100EX	4.27	027330-100x062EX	0.61	80	168*	175	100	72	30	130
027610-170x160EX	3.73	027620-200x160EX	4.62	027330-160x062EX	1.29				160	132		
027610-200x100EX	3.62	027620-200x100EX	4.27	027330-100x062EX	0.61		200	175	100	72	45	
027610-200x160EX	3.86	027620-200x160EX	4.62	027330-160x062EX	1.29				160	132		
027612-220x100EX	3.78	027622-250x100EX	4.55	027332-100x062EX	0.73	125	218*	225	100	72	35	180
027612-220x160EX	4.11	027622-250x160EX	5.00	027332-160x062EX	1.08				160	132		
027612-250x100EX	3.91	027622-250x100EX	4.55	027332-100x062EX	0.73		250	225	100	72	50	
027612-250x160EX	4.24	027622-250x160EX	5.00	027332-160x062EX	1.08				160	132		
027613-250x160EX	4.34	027623-250x160EX	5.10	027333-160x062EX	1.44	160	250	225	175	132	35	180
027613-250x200EX	4.73	027623-250x200EX	5.37	027333-200x062EX	1.91				215	172		
027613-290x160EX	4.44	027623-320x160EX	5.20	027333-160x062EX	1.46		288*	295	175	132	50	
027613-290x200EX	4.83	027623-320x200EX	5.47	027333-200x062EX	1.91				215	172		

* Towing Trolley with rubber buffer on one side only

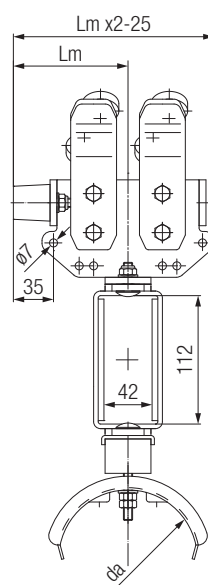
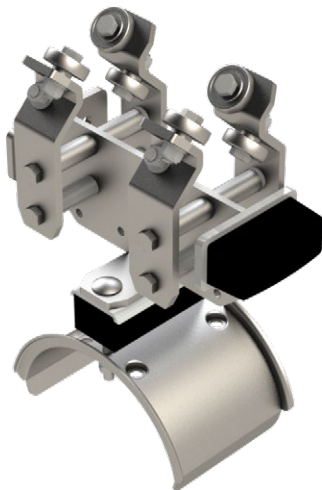
Cable Trolley

Program 0270EX

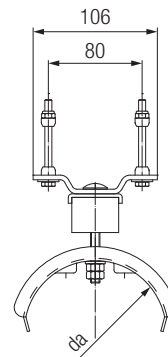
Cable Trolley for Round Cables with Cable Support $\varnothing 125$, $\varnothing 160$, $\varnothing 200$



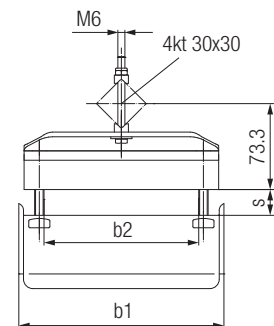
Cable Trolley



Towing Trolley



End Clamp



Technical details

Trolley body and cable supports: galvanized steel

Fasteners: galvanized steel

Rollers: ball bearing, galvanized with ZZ-sealing

Temperature range: -20°C to $+50^{\circ}\text{C}$

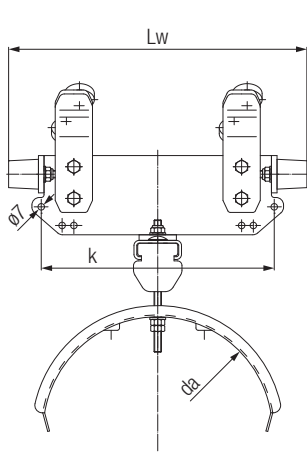
Max. carrying capacity: 25 kg

Cable Trolleys Part No.:	[kg]	Towing Trolleys Part No.:	[kg]	End Clamp Part No.:	[kg]	d_a [mm]	l_w [mm]	l_m [mm]	b_1 [mm]	b_2 [mm]	s_{max} [mm]	k [mm]
027632-170x100EX	3.81	027642-200x100EX	4.58	027862-100x022EX	1.17	125	168	175	115	72	12.5	130
027632-170x160EX	4.19	027642-200x160EX	5.08	027862-160x022EX	1.42				175	132		
027633-220x100EX	4.13	027643-250x100EX	4.90	027863-100x042EX	1.27	160	218	225	115	72	16	180
027633-220x160EX	4.57	027643-250x160EX	5.45	027863-160x042EX	1.67				175	132		
027634-290x100EX	4.27	027644-320x100EX	5.04	027864-100x042EX	1.37	200	288	295	115	72	20	250
027634-290x160EX	4.80	027644-320x160EX	5.68	027864-160x042EX	1.92				175	132		
027634-290x200EX	5.00	027644-320x200EX	5.77	027864-200x042EX	2.32				215	172		

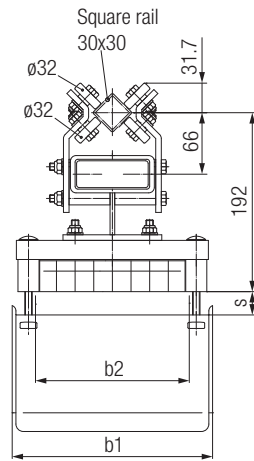
Cable Trolley

Program 0270EX

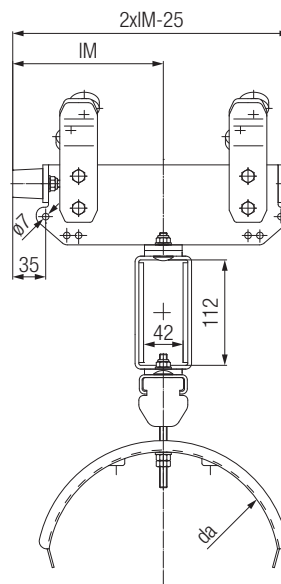
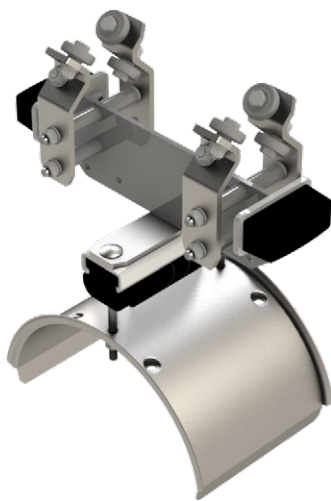
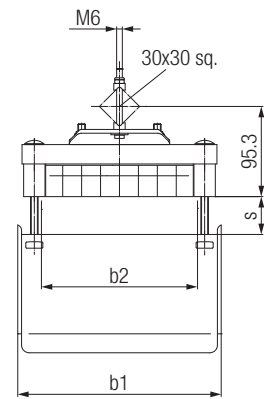
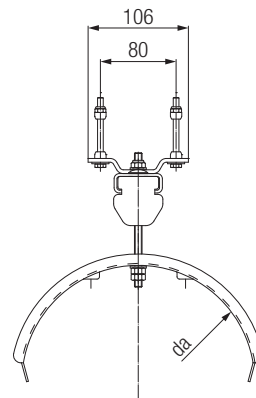
Cable Trolley for Round Cables with Cable Support Ø250, Ø320



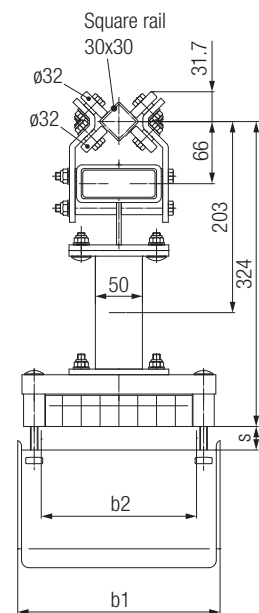
Cable Trolley



End Clamp



Towing Trolley



Technical details

Trolley body and cable supports: galvanized steel

Fasteners: galvanized steel

Rollers: ball bearing, galvanized with ZZ-sealing

Temperature range: -20°C to +50°C

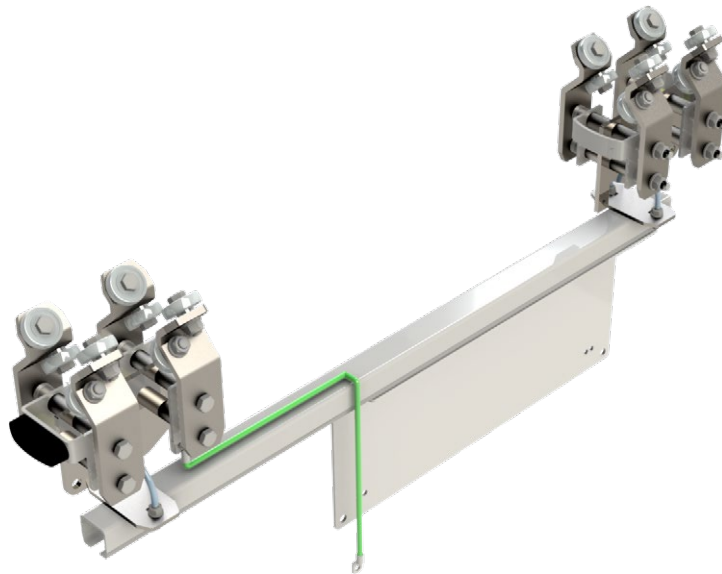
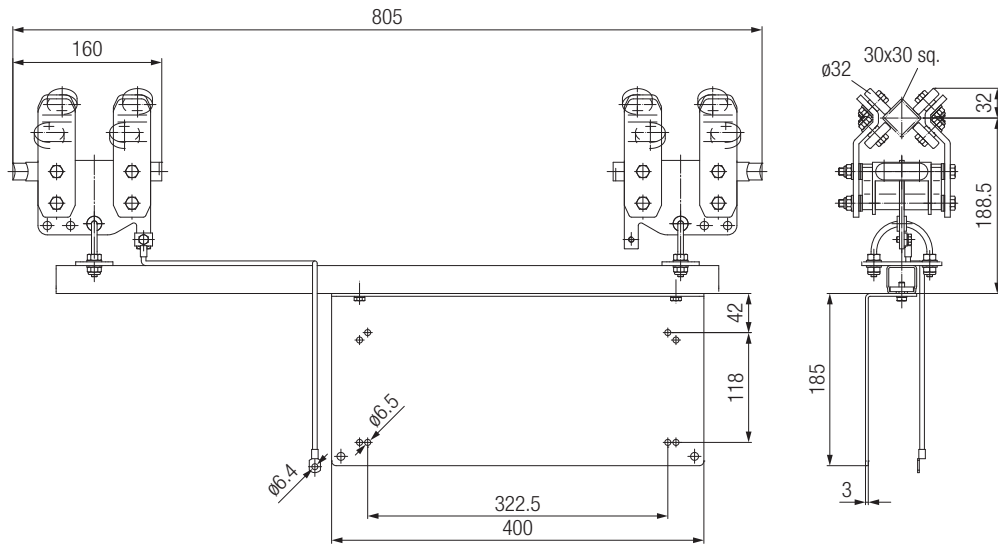
Max. carrying capacity: 25 kg

Cable Trolleys		Towing Trolleys		End Clamp		d_a	l_w	l_M	b_1	b_2	s_{max}	k
Part No.:	[kg]	Part No.:	[kg]	Part No.:	[kg]	[mm]	[mm]	[mm]	[mm]	[mm]	[mm]	[mm]
027655-320x160EX	5.17	027665-320x160EX	6.05	027895-160x042EX	2.36	250	320	295	175	125	25	250
027655-320x200EX	5.37	027665-320x200EX	6.14	027895-200x042EX	2.76				215	165		
027655-320x250EX	5.87	027665-320x250EX	6.75	027895-250x042EX	3.26				265	215		
027657-400x160EX	6.03	027667-400x160EX	6.91	027897-160x042EX	2.96	320	400	375	175	125	32	330
027657-400x200EX	6.23	027667-400x200EX	7.00	027897-200x042EX	3.36				215	165		
027657-400x250EX	6.83	027667-400x250EX	7.71	027897-250x042EX	3.96				265	215		

Cable Trolley

Program 0270EX

Control Unit Trolley Program 0270EX



Technical details

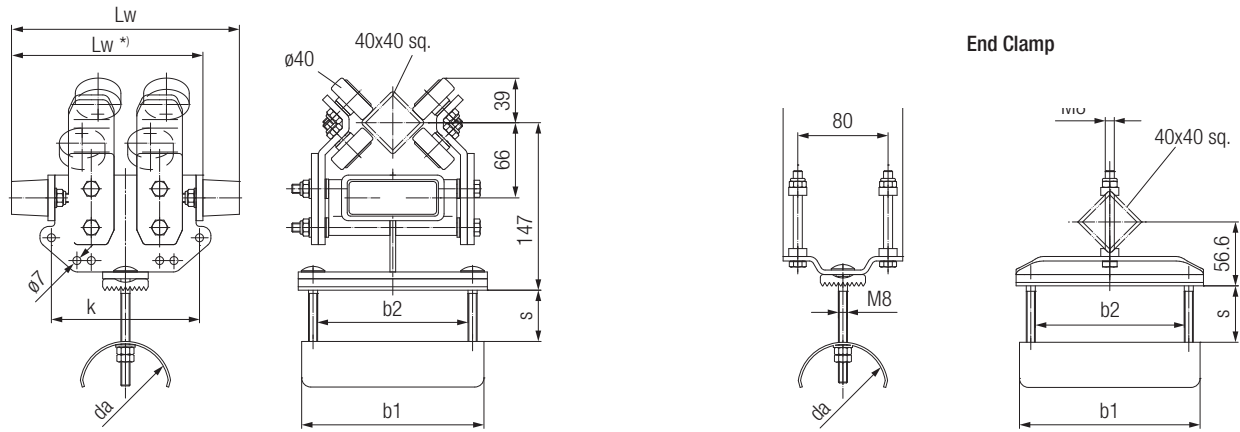
Trolley body and cable supports: galvanized steel
 Fasteners: galvanized steel
 Rollers: ball bearing, galvanized with ZZ-sealing
 Temperature range: -20°C to +50°C

Control Unit Trolley Part No.:	Max. carrying capacity: [kg]	Weight [kg]
02-S024-0016	32	9.15

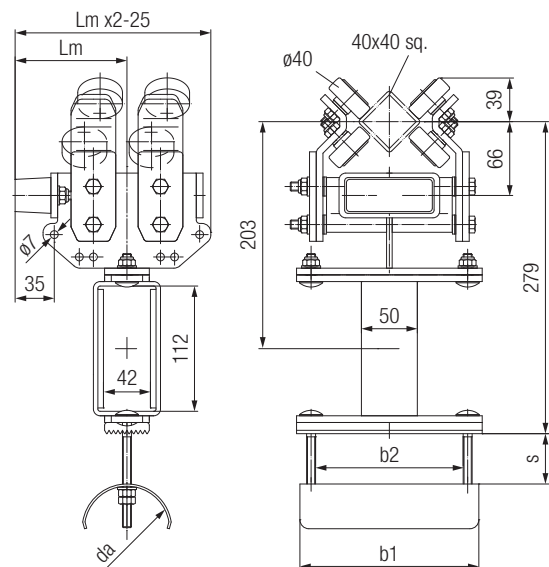
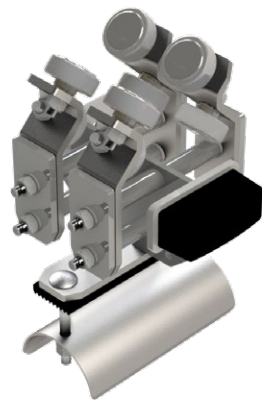
Cable Trolley

Program 0280EX

Cable Trolley for Flat Cables



Cable Trolley



Towing Trolley

Technical details

Trolley body and cable supports: galvanized steel
 Fasteners: galvanized steel
 Rollers: ball bearing, galvanized with ZZ-sealing
 Temperature range: -20°C to +50°C
 Max. carrying capacity: 36 kg

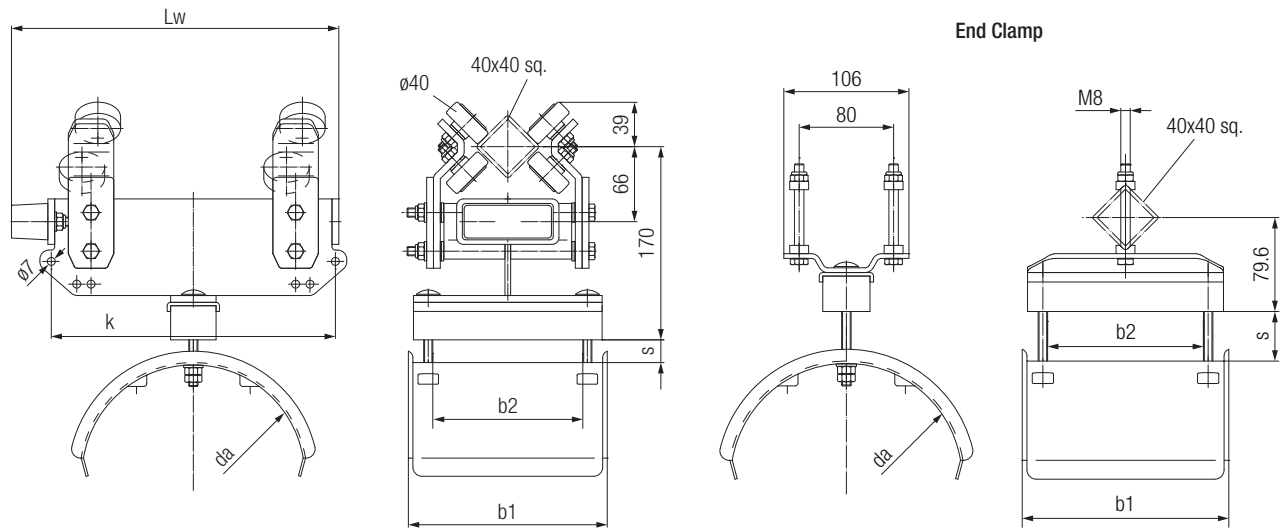
Cable Trolleys Part No.:	[kg]	Towing Trolleys Part No.:	[kg]	End Clamp Part No.:	[kg]	d _a [mm]	l _w [mm]	l _M [mm]	b ₁ [mm]	b _{2max} [mm]	s _{max} [mm]	k [mm]
028250-170x100EX	4.49	028260-200x100EX	5.26	028230-100x062EX	0.90	80	168*	175	100	72	30	130
028250-170x160EX	4.73	028260-200x160EX	5.62	028230-160x062EX	1.34				160	132		
028250-200x100EX	4.62	028260-200x100EX	5.26	028230-100x062EX	0.90		200	175	100	72	45	130
028250-200x160EX	4.86	028260-200x160EX	5.62	028230-160x062EX	1.34				160	132		
028252-220x100EX	4.78	028262-250x100EX	5.55	028232-100x062EX	0.78	125	218*	225	100	72	35	180
028252-220x160EX	5.11	028262-250x160EX	6.00	028232-160x062EX	1.13				160	132		
028252-250x100EX	4.91	028262-250x100EX	5.55	028232-100x062EX	0.78		250	225	100	72	50	180
028252-250x160EX	5.24	028262-250x160EX	6.00	028232-160x062EX	1.13				160	132		
028253-250x160EX	5.34	028263-250x160EX	6.10	028233-160x042EX	1.48	160	250	225	175	132	35	180
028253-250x200EX	5.73	028263-250x200EX	6.37	028233-200x042EX	1.93				215	172		
028253-290x160EX	5.44	028263-320x160EX	6.20	028233-160x062EX	1.50		288*	295	175	132	50	250
028253-290x200EX	5.83	028263-320x200EX	6.47	028233-200x062EX	1.95				215	172		

* Towing Trolley with rubber buffer on one side only

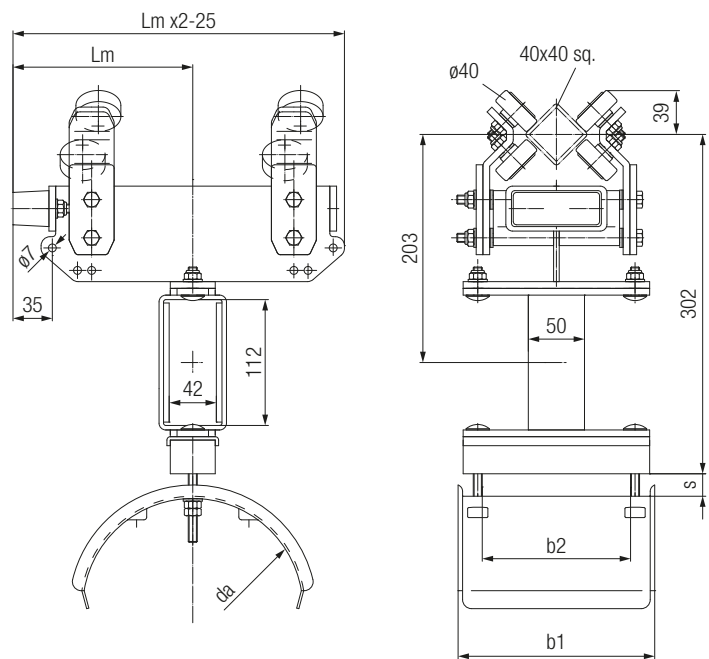
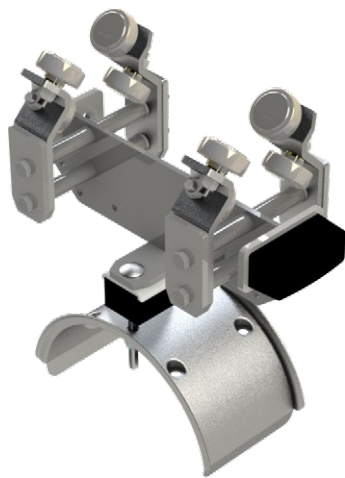
Cable Trolley

Program 0280EX

Cable Trolley for Round Cables with Cable Support $\varnothing 125$, $\varnothing 160$, $\varnothing 200$



Cable Trolley



Towing Trolley

Technical details

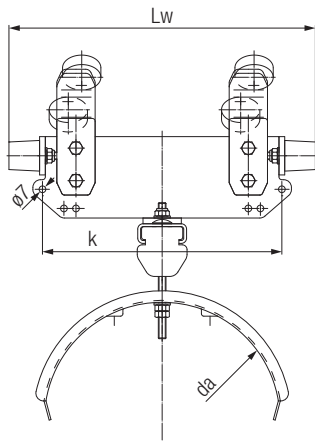
Trolley body and cable supports: galvanized steel
 Fasteners: galvanized steel
 Rollers: ball bearing, galvanized with ZZ-sealing
 Temperature range: -20°C to $+50^{\circ}\text{C}$
 Max. carrying capacity: 36 kg

Cable Trolleys Part No.:	[kg]	Towing Trolleys Part No.:	[kg]	End Clamp Part No.:	[kg]	d_a [mm]	l_w [mm]	l_m [mm]	b_1 [mm]	b_2 [mm]	s_{max} [mm]	k [mm]
028272-170x100EX	4.81	028282-200x100EX	5.58	028362-100x022EX	1.22	125	168	175	115	72	12.5	130
028272-170x160EX	5.19	028282-200x160EX	6.08	028362-160x022EX	1.47				175	132		
028273-220x100EX	5.13	028283-250x100EX	5.90	028363-100x042EX	1.32	160	218	225	115	72	16	180
028273-220x160EX	5.57	028283-250x160EX	6.45	028363-160x042EX	1.72				175	132		
028274-290x100EX	5.27	028284-320x100EX	6.04	028364-100x042EX	1.42	200	288	295	115	72	20	250
028274-290x160EX	5.80	028284-320x160EX	6.68	028364-160x042EX	1.97				175	132		
028274-290x200EX	6.00	028284-320x200EX	6.77	028364-200x042EX	2.37				215	172		

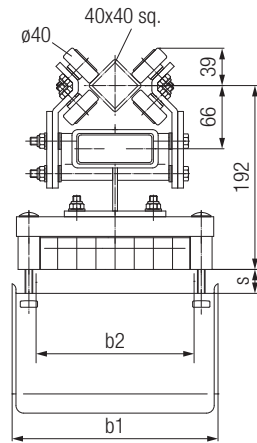
Cable Trolley

Program 0280EX

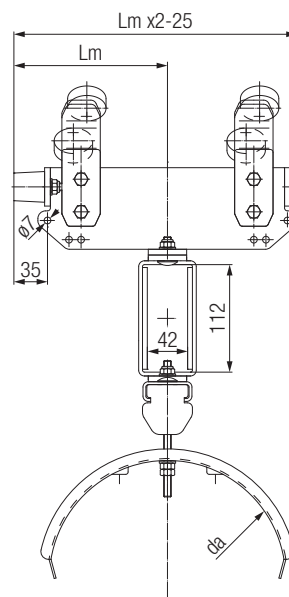
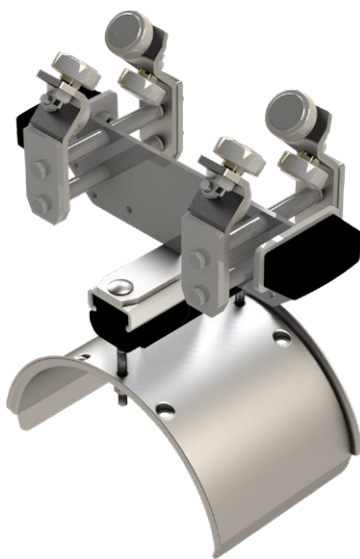
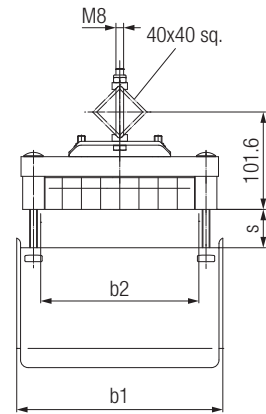
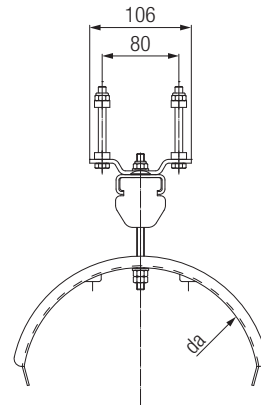
Cable Trolley for Round Cables with Cable Support $\varnothing 250$, $\varnothing 320$



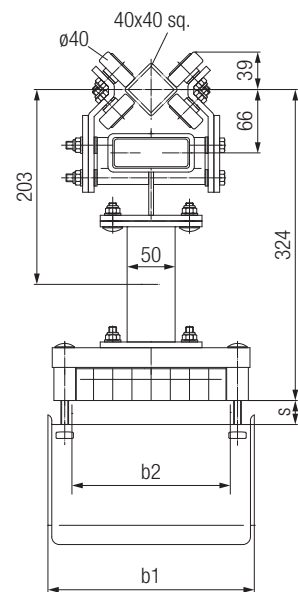
Cable Trolley



End Clamp



Towing Trolley



Technical details

Trolley body and cable supports: galvanized steel

Fasteners: galvanized steel

Rollers: ball bearing, galvanized with ZZ-sealing

Temperature range: -20°C to $+50^{\circ}\text{C}$

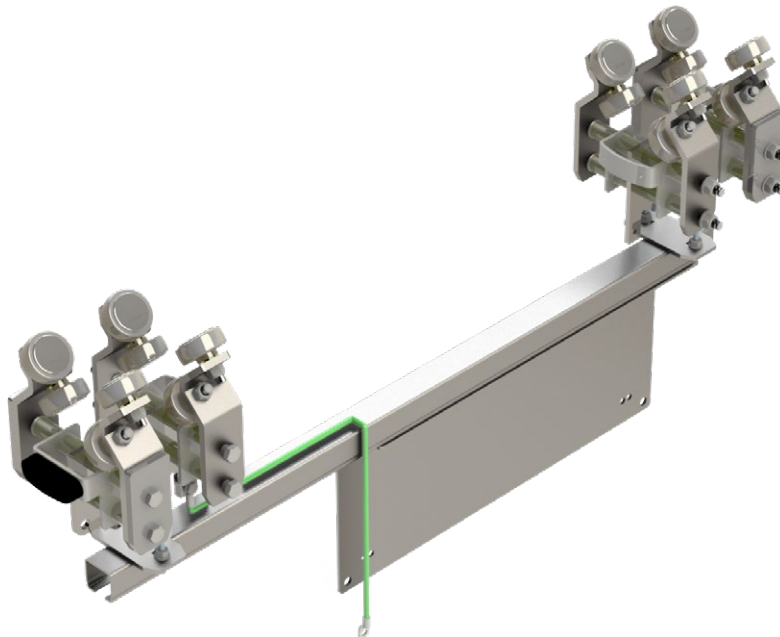
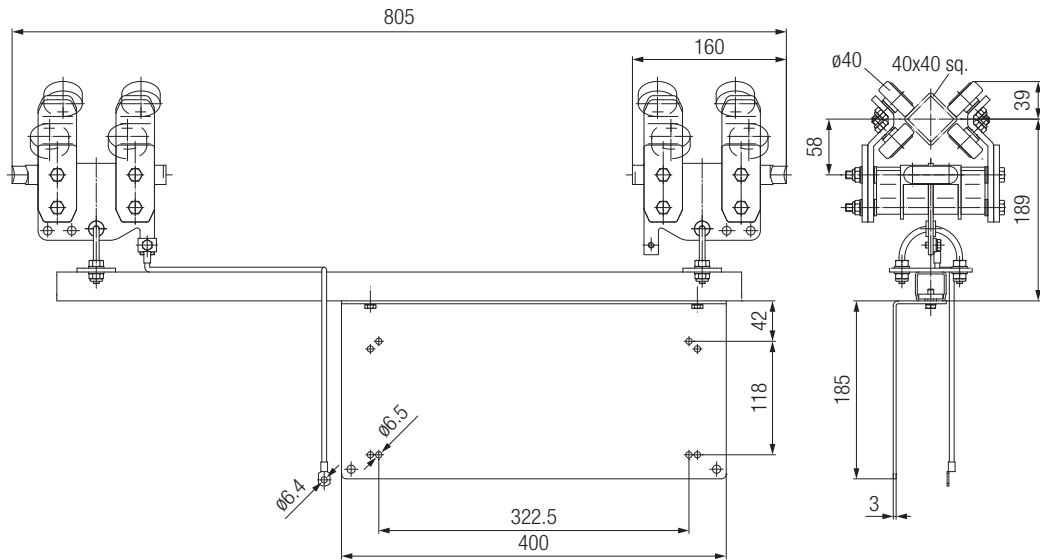
Max. carrying capacity: 36 kg

Cable Trolleys		Towing Trolleys		End Clamp		d_a	l_w	l_M	b_1	b_2	s_{max}	k
Part No.:	[kg]	Part No.:	[kg]	Part No.:	[kg]	[mm]	[mm]	[mm]	[mm]	[mm]	[mm]	[mm]
028465-320x160EX	6.17	028475-320x160EX	7.05	028395-160x042EX	2.40	250	320	295	175	125	25	250
028465-320x200EX	6.37	028475-320x200EX	7.14	028395-200x042EX	2.80				215	185		
028465-320x250EX	6.87	028475-320x250EX	7.75	028395-250x042EX	3.60				265	215		
028467-400x160EX	7.03	028477-400x160EX	7.91	028397-160x042EX	3.00	320	400	375	175	125	32	330
028467-400x200EX	7.23	028477-400x200EX	8.00	028397-200x042EX	3.40				215	165		
028467-400x250EX	7.83	028477-400x250EX	8.71	028397-250x042EX	4.00				265	215		

Cable Trolley

Program 0280EX

Control Unit Trolley Program 0280EX



Technical details

Trolley body and cable supports: galvanized steel
 Fasteners: galvanized steel
 Rollers: ball bearing, galvanized with ZZ-sealing
 Temperature range: -20°C to +50°C

Control Unit Trolley Part No.:	Max. carrying capacity: [kg]	Weight [kg]
02-S024-0017	40	11.1

Project Planning

General Notes

Our ATEX festoon systems are comprised of standard parts from our 0270 and 0280 programs – plus ATEX components. ATEX festoon systems can be expanded with standard 0270 and 0280 parts.

However, for ATEX applications there are some specifics to be taken into account:

Maximum running speed:

Conductix-Wampfler festoon systems according to ATEX are only to be used with a maximum speed of 1m/s!
Explosion protection becomes void when this speed limit is exceeded.

Cables and hoses:

Outer sheaths must be made from the following materials:

- Heavy polychloroprene or some similar synthetic elastomer
- Heavy rubber hoses or connecting cables of an equally robust composition
- No PVC cables/hoses!

Grounding:

To avoid any potential ignition processes, all chargeable conductive parts must be grounded.
All metal components of the festoon system are conductively connected. Additionally, the rail is grounded.

Electrical accessory equipment:


Accessory equipment supplied by the customer, such as junction boxes on control unit trolleys or teach pendants must be eligible for use in zones 1 and 21.
Respective product guides must be collected by the customer and added to the festoon system's documentation.

Conductix-Wampfler Festoon Systems according to ATEX – Areas of Application


• Mines and Mine Damp

No zones allocated		 WARNING! Operation not permitted
--------------------	--	--

• Other Areas with Potentially Explosive Atmosphere – Gas

Zone 0	Potentially explosive atmosphere present continuously or for long periods or frequently	 WARNING! Operation not permitted
Zone 1	Potentially explosive atmosphere likely to occur in normal operation occasionally	Operation permitted
Zone 2	Potentially explosive atmosphere not likely to occur in normal operation but, if it does occur, will persist for a short period only	Operation permitted

• Other Potentially Explosive Areas – Powder/Dust

Zone 20	Potentially explosive atmosphere present continuously or for long periods or frequently	 WARNING! Operation not permitted
Zone 21	Potentially explosive atmosphere likely to occur in normal operation occasionally	Operation permitted
Zone 22	Potentially explosive atmosphere not likely to occur in normal operation but, if it does occur, will persist for a short period only	Operation permitted

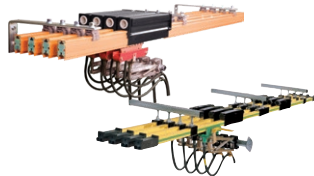
Your Applications – our Solutions

Festoon Systems from Conductix-Wampfler represent only one of the many solutions made possible by the broad spectrum of Conductix-Wampfler components for the transport of energy, data and fluid media. The solutions we deliver for your applications are based on your specific requirements. In many cases, a combination of several different Conductix-Wampfler systems can prove advantageous. You can count on all of Conductix-Wampfler's Business Units for hands-on engineering support – coupled with the perfect solution to meet your energy management and control needs.



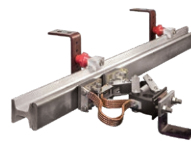
Festoon systems

It's hard to imagine Conductix-Wampfler cable trolleys not being used in virtually every industrial application. They're reliable and robust and available in an enormous variety of dimensions and designs.



Conductor rails

Whether they're enclosed conductor rails or expandable single-pole systems, the proven conductor rails by Conductix-Wampfler reliably move people and material.



Non-insulated conductor rails

Extremely robust, non-insulated conductor rails with copper heads or stainless steel surfaces provide the ideal basis for rough applications, for example in steel mills or shipyards.



Slip ring assemblies

Whenever things are really "moving in circles", the proven slip ring assemblies by Conductix-Wampfler ensure the flawless transfer of energy and data. Here, everything revolves around flexibility and reliability!



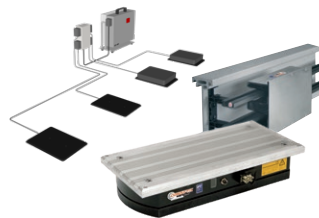
Motorized Cable & Hose Reels

Motorized reels by Conductix-Wampfler hold their own wherever energy, data, media and fluids have to cover the most diverse distances within a short amount of time – in all directions, fast and safe.



Spring Cable & Hose Reels

With their robust and efficient design Spring Cable and Hose Reels from Conductix-Wampfler are unbeatably reliable in supplying energy, signals, data and fluids to a vast range of tools, cranes and vehicles.



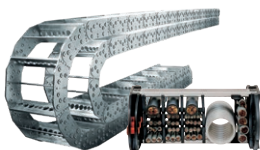
Inductive Power Transfer IPT®

The no-contact system for transferring energy and data. For all tasks that depend on high speeds and absolute resistance to wear. Flexible installation when used with Automated Guided Vehicles.



Retractors and Balancers

Our wide range of high reliable retractors and balancers remove the load from your shoulders and allow you to reach top productivity.



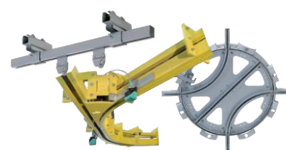
Energy guiding chains

The "Jack of all trades" when it comes to transferring energy, data, air and fluid hoses. With their wide range, these energy guiding chains are the ideal solution for many industrial applications.



Jib booms

Complete with tool transporters, reels, or an entire media supply system – here, safety and flexibility are key to the completion of difficult tasks.



Conveyor systems

Whether manual, semiautomatic or with Power & Free – flexibility is achieved with full customization concerning layout and location.



Mobile Control Systems

Mobile control solutions for your plant – whether straightforward or intricate. Control and communication systems from LJU have been tried and tested in the automotive industry for decades.

www.conductix.com

Conductix-Wampfler

has just one critical mission:

To provide you with energy and data transmission systems that will keep your operations up and running 24/7/365.

To contact your nearest sales office, please refer to:

www.conductix.com/en/contact-search

