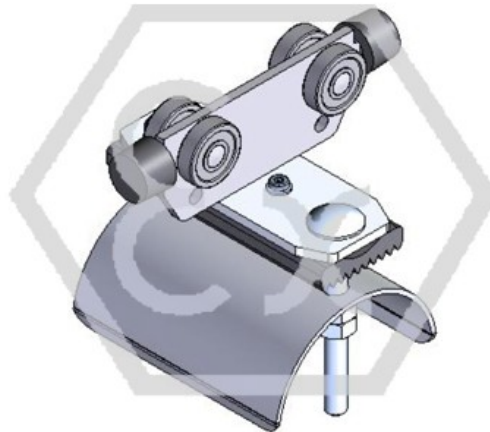


Cable trolleys Program 200 ATEX

TDB0200-0001a-E



CONTENTS

	page
1	General advice for explosion protection..... 2
1.1	ATEX 95..... 3
1.2	ATEX 137..... 3
2	Project planning..... 4
3	Conductix-Wampfler cable trolleys according to ATEX 5
3.1	Applications for Conductix-Wampfler cable trolley systems 5
4	EG-certification No. EX9 04 10 25808 001..... 6
5	System overview 8
5.1	System overview cable trolley system program 230 ATEX with towing trolley 8
5.1.1	Bill of material cable trolley system programm 230 ATEX with towing trolley 9
5.2	System overview cable trolley system program 230 ATEX with control unit trolley... 10
5.2.1	Bill of material cable trolley system program 230 ATEX with control unit trolley 11
5.3	System overview cable trolley system program 240 ATEX with towing trolley 12
5.3.1	Bill of material cable trolley system program 240 ATEX with towing trolley 13
5.4	System overview cable trolley system program 240 ATEX with control unit trolley... 14
5.4.1	Bill of material cable trolley system program 240 ATEX with control unit trolley 15
6	Catalog Numbers program 230 ATEX..... 16
6.1	General components 16

Cable trolleys Program 200 ATEX

TDB0200-0001a-E

7	Special components program 230 ATEX for flat cables.....	18
7.1	Cable trolley 230EX for flat cables	18
7.2	End clamp 230EX for flat cables	19
7.3	Towing trolley 230EX for flat cables	20
8	Special components program 230 ATEX for round cables	21
8.1	Cable trolley 230EX for round cables	21
8.2	End clamp 230EX for round cables	22
8.3	Towing trolley 230EX for round cables.....	23
9	Control unit trolley 230 ATEX	24
10	Catalog numbers program 240 ATEX.....	25
10.1	General components	25
11	Special components program 240 ATEX for flat cables.....	27
11.1	Cable trolley 240EX for flat cables, support diameter 80, 125, 160.....	27
11.2	Cable trolley 240EX for flat cables, support diameter 200.....	28
11.3	End clamp 240EX for flat cables	29
11.4	Towing trolley 240EX for flat cables, support diameter 80, 125, 160.....	30
11.5	Towing trolley 240EX support diameter 200	31
12	Catalog numbers program 240 ATEX for round cables	32
12.1	Cable trolley 240EX for round cables	32
12.2	End clamp 240EX for round cables	33
12.3	Towing trolley 240EX for round cables.....	34
13	Control unit trolley 240 ATEX	35

1 General advice for explosion protection

The machine must be designed and constructed in such a way that any risk of explosion by the machine itself or by gases, liquids, dust, vapors and other substances generated or used by the machine will be prevented.

Cable trolleys Program 200 ATEX

TDB0200-0001a-E

1.1 ATEX 95

General safety requirements on machines are defined in the guideline 98/37/EG and safety requirements regarding explosion risk in the guideline 94/9/EG.

Which requirements have to be fulfilled if there is a risk of explosion is stipulated in the explosion protection guideline 94/9/EG (known as ATEX 95).

The explosion protection guideline differentiates between equipment for various applications, required safety degree and explosive material and is generally valid. There is no differentiation between electric and non-electric equipment.

1.2 ATEX 137

The operating guideline 89/391/EWG obliges the employer among other things to provide an evaluation of the endangerment, to determine preventive measures and protective means and to instruct his employees about safety and health protection at their work places. The explosion protection operating guideline 1999/92/EG, known as ATEX 137, specifies these requirements as to dangers by explosive atmospheres.

Cable trolleys Program 200 ATEX

TDB0200-0001a-E

2 Project planning

For the project planning of the complete cable trolley system, such as permissible load of the cable trolleys, support distances of the C-rails, additional length of cables etc. follow the rules according to the catalogs of program 230 and 240.

Furthermore program 230 ATEX and 240 ATEX can be extended with specific standard components of program 230 and 240.



Cables

To equip the system with cables follow the requirements of BGR132, paragraph 3.1.2. The cable trolley system must be equipped exclusively with appropriate rubber flat cables or rubber round cables.

PVC-cables are not permissible!



Grounding

Protective measures are required to prevent ignition. These protective measures are specified in the "guidelines for the prevention of ignition due to electrostatic charge". The most important protective measure is grounding all conductive parts, which could be dangerously charged.



Electric accessory equipment terminal box and pendant station

Accessory equipment to be mounted by the customer, such as terminal box at the control unit trolley and pendant station, must be suitable for installation in zone 1 and zone 21. Verifications of manufacturing must be added to this documentation.



Limit maximum operating speed

Conductix-Wampfler cable trolley systems according to ATEX must only be operated with a speed of

smaller 1m/s

When exceeding this speed explosion protection is no longer given.


Cable trolleys Program 200 ATEX

TDB0200-0001a-E


3 Conductix-Wampfler cable trolleys according to ATEX

3.1 Applications for Conductix-Wampfler cable trolley systems


Classes:

Class I	mining and mine gas		WARNING! Installation not permissible
Class II	other explosive zones endangered by gas or dust		Installation permissible


Categories for group I:

M	mining		WARNING! Installation not permissible
---	--------	---	---

Categories for group II:

1	always, long-term, frequently (safety extremely high) G: zone 0 and D: zone 20		WARNING! Installation not permissible
2	occasionally (safety high) G: zone 1 and D: zone 21		Installation permissible

Designation for the acceptance for gas:

 II 2 G c T4 *

(* Temperature class T4 equivalent to 135°C)

Designation for the acceptance for dust:


 II 2 D c T4

Cable trolleys Program 200 ATEX

TDB0200-0001a-E

4 EG-certification No. EX9 04 10 25808 001

ZERTIFIKAT • CERTIFICATE • 認証証書 • CERTIFICADO • CERTIFICAT



EC-Certificate
No. EX9 04 10 25808 001

Holder of Certificate: Wampfler AG
Rheinstr. 27 + 33
79576 Weil am Rhein
GERMANY

**Name of Object: Non-electric devices and components group II
Cable Trolley Program 200 ATEX**

This EC-Certificate is issued according to Article 8(1) b) ii) of Council Directive 94/9/EC for equipment and protective systems intended for use in potentially explosive atmospheres (ATEX). It confirms the receipt and storage of the file for the listed product by TÜV PRODUCT SERVICE GMBH. It was not verified whether the documentation is correct and complete. See also notes overleaf.

Test report no.: 70083478

Date, 2004-10-25 





TÜV PRODUCT SERVICE GMBH is Notified Body according to Council Directive 94/9/EC for equipment and protective systems intended for use in potentially explosive atmospheres, notified by publication in the Official Journal of the EC with identification No. 0123.

Page 1 of 2

**TÜV PRODUCT SERVICE GMBH • Zertifizierstelle • Ridlerstrasse 65 • D-80339 München
Gruppe TÜV Süddeutschland**

Cable trolleys Program 200 ATEX

TDB0200-0001a-E

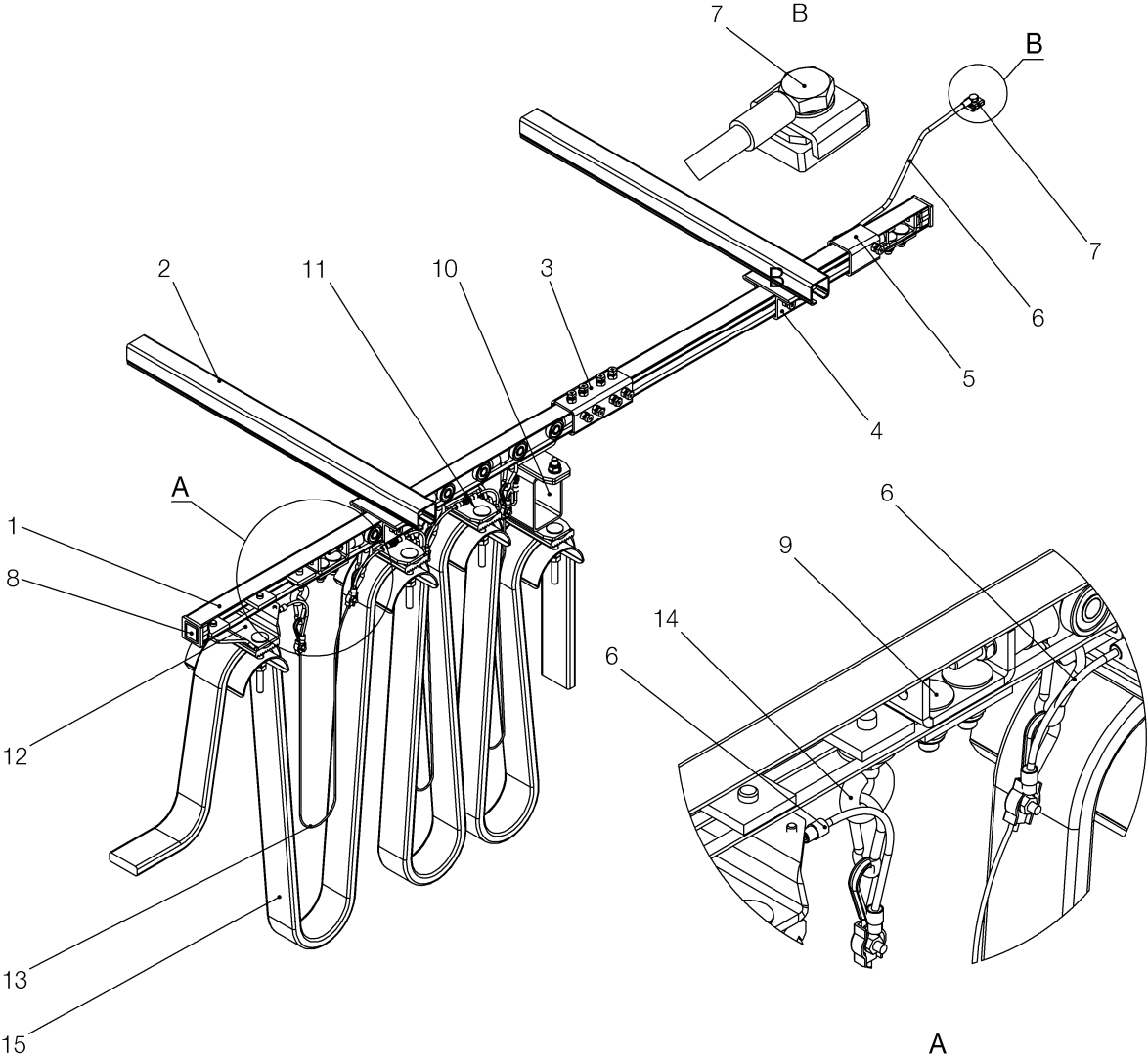
ZERTIFIKAT • CERTIFICATE • 認証証書 • СЕРТИФИКАТ • CERTIFICADO • CERTIFICAT	
	EC-Certificate No. EX9 04 10 25808 001
	Model(s):  Cable Trolley Program 200 ATEX for use in zone 1 and 21
Description of Object:	1 DIN A4 folder with technical documents
Page 2 of 2	
TÜV PRODUCT SERVICE GMBH • Zertifizierstelle • Ridlerstrasse 65 • D-80339 München Gruppe TÜV Süddeutschland	

Cable trolleys Program 200 ATEX

TDB0200-0001a-E

5 System overview

5.1 System overview cable trolley system program 230 ATEX with towing trolley



Cable trolleys Program 200 ATEX

TDB0200-0001a-E

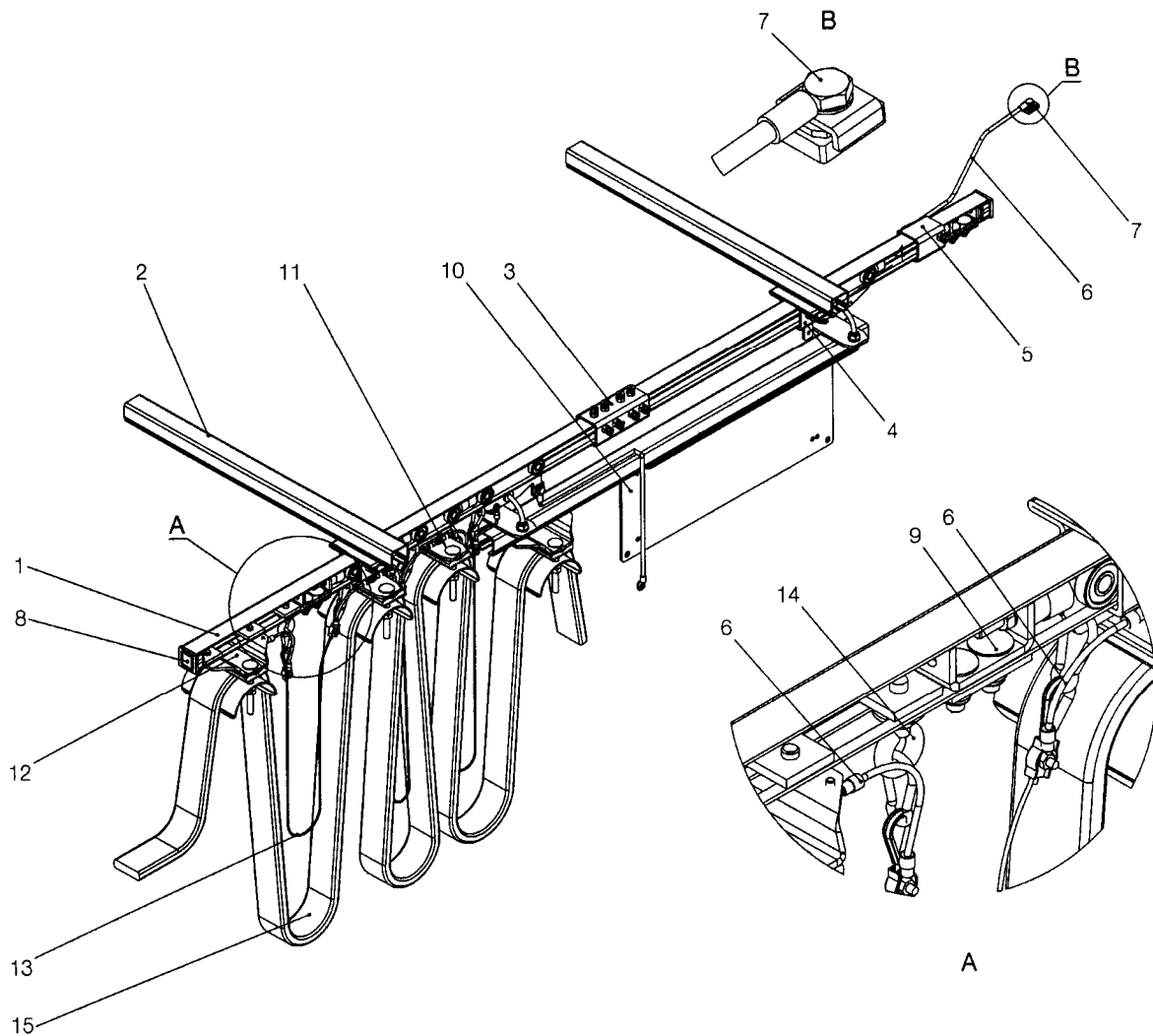
5.1.1 Bill of material cable trolley system programm 230 ATEX with towing trolley

Item	Designation	Catalog Number	Quantity	Remark
1	C-rail	023200		Quantity depends on the system rating
2	Support bracket	020275-0500		Quantity depends on the system rating
3	Track coupler	023210EX		Quantity depends on the system rating
4	Track support bracket	023226		Quantity depends on the system rating
5	Earth connection clamp	02-E007-0001	1	
6	Grounding conductor	02-S215-0006	1	
7	Grounding conductor connecting piece	02-S215-0002	1	
8	End cap	020662-30	2	
9	End stop	023218	2	
10	Towing trolley EX	023335EX 023347EX	1	
11	Cable trolley EX	023330EX 023345EX		Quantity depends on the system rating
12	End clamp EX	024230EX 024462EX	1	
13	Towing rope	020322-02EX		Quantity depends on the system rating
14	End clamp (eye)	020218-08	1	
15	Cable			Quantity depends on the system rating

Cable trolleys Program 200 ATEX

TDB0200-0001a-E

5.2 System overview cable trolley system program 230 ATEX with control unit trolley



Technical Data Sheet



Cable trolleys Program 200 ATEX

TDB0200-0001a-E

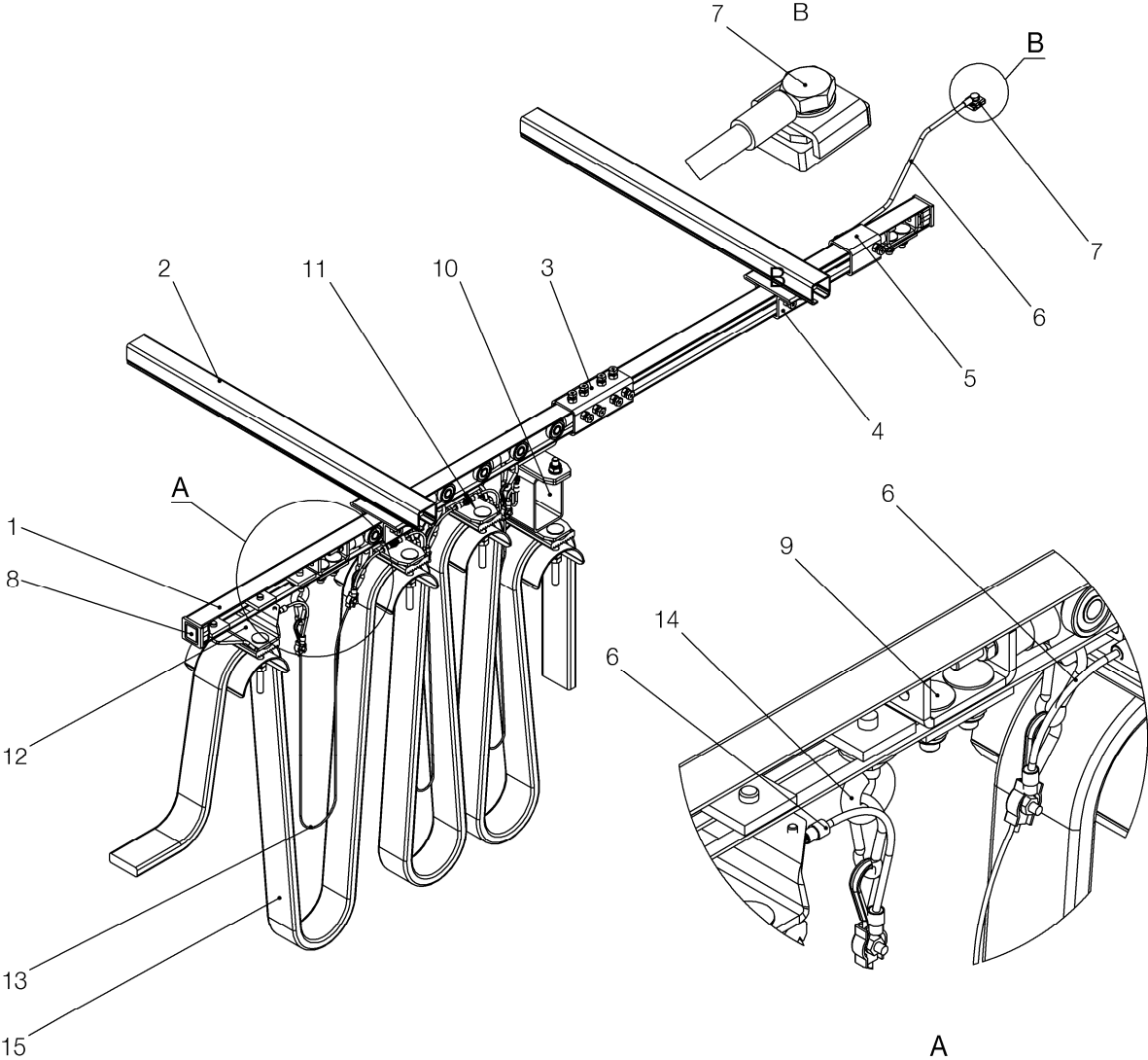
5.2.1 Bill of material cable trolley system program 230 ATEX with control unit trolley

Item	Designation	Catalog Number	Quantity	Remark
1	C-rail	023200		Quantity depends on the system rating
2	Support bracket	020275-0500		Quantity depends on the system rating
3	Track coupler	023210EX		Quantity depends on the system rating
4	Track support bracket	023226		Quantity depends on the system rating
5	Earth connection clamp	02-E007-0001	1	
6	Grounding conductor	02-S215-0006	1	
7	Grounding conductor connecting piece	02-S215-0002	1	
8	End cap	020662-30	2	
9	End stop	023218	2	
10	Control unit trolley	02-S023-0325	1	
11	Cable trolley EX	023330EX 023345EX	2	Quantity depends on the system rating
12	End clamp EX	024230EX 024462EX	1	
13	Towing rope	020322-02EX		Quantity depends on the system rating
14	End clamp (eye)	020218-08	1	
15	Cable			Quantity depends on the system rating

Cable trolleys Program 200 ATEX

TDB0200-0001a-E

5.3 System overview cable trolley system program 240 ATEX with towing trolley



Cable trolleys Program 200 ATEX

TDB0200-0001a-E

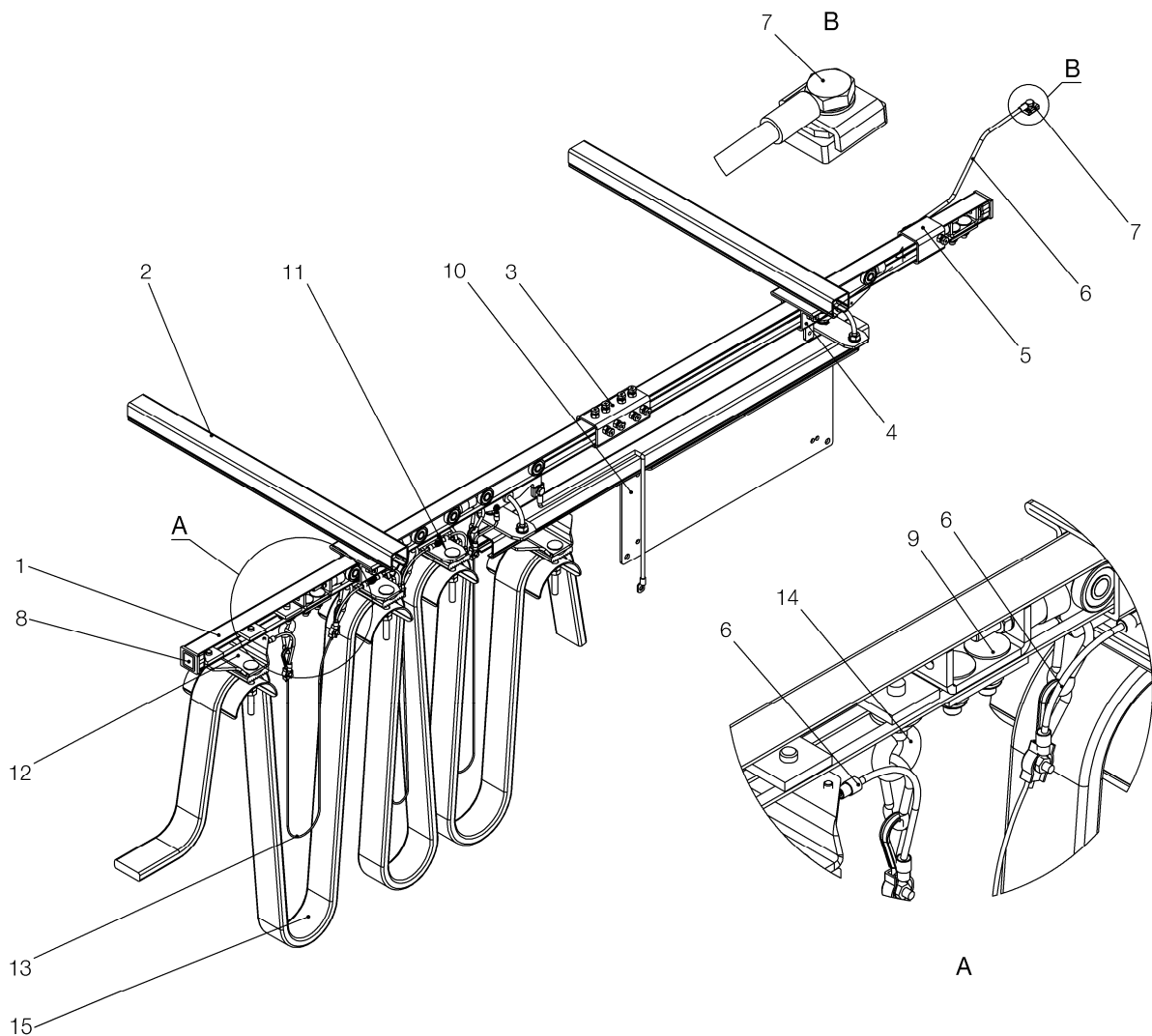
5.3.1 Bill of material cable trolley system program 240 ATEX with towing trolley

Item	Designation	Catalog Number	Quantity	Remark
1	C-rail	024100		Quantity depends on the system rating
2	Support arm	020186-0250 bis 020186-1250		Quantity depends on the system rating
3	Track coupler	024105EX		Quantity depends on the system rating
4	Track support bracket	024122		Quantity depends on the system rating
5	Earth connection clamp	02-E007-0002	1	
6	Grounding conductor	02-S215-0006	1	
7	Grounding conductor connecting piece	02-S215-0002	1	
8	End cap	020662-40	2	
9	End stop	024111	2	
10	Towing trolley EX	024220EX 024224EX 024484EX	1	
11	Cable trolley EX	024210EX 024214EX 024474EX		Quantity depends on the system rating
12	End clamp EX	024234EX 024494EX	1	
13	Towing rope	020322-02EX		Quantity depends on the system rating
14	End clamp (eye))	020218-08	1	
15	Cable			Quantity depends on the system rating

Cable trolleys Program 200 ATEX

TDB0200-0001a-E

5.4 System overview cable trolley system program 240 ATEX with control unit trolley



Cable trolleys Program 200 ATEX

TDB0200-0001a-E

5.4.1 Bill of material cable trolley system program 240 ATEX with control unit trolley

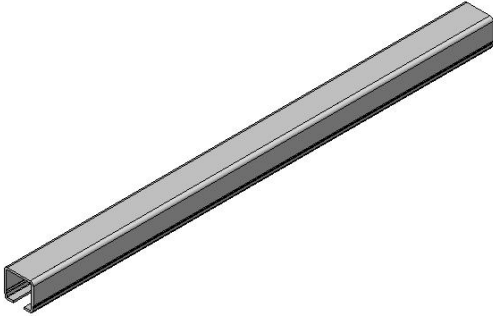
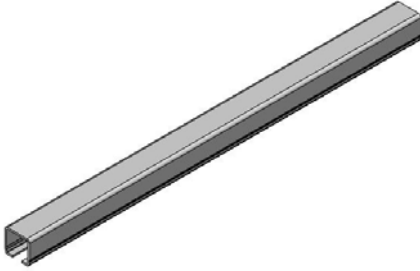
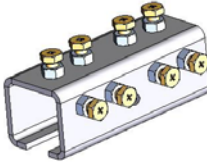
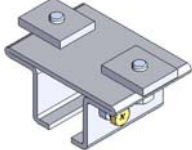
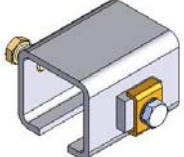
Item	Designation	Catalog Number	Quantity	Remark
1	C-rail	024100		Quantity depends on the system rating
2	Support arm	020186-0250 until 020186-1250		Quantity depends on the system rating
3	Track coupler	024105EX		Quantity depends on the system rating
4	Track support bracket	024122		Quantity depends on the system rating
5	Earth connection clamp	02-E007-0002	1	
6	Grounding conductor	02-S215-0006	1	
7	Grounding conductor connecting piece	02-S215-0002	1	
8	End cap	020662-40	2	
9	End stop	024111	2	
10	Control unit trolley upper part	02-S023-0326	1	
11	Cable trolley EX	024210EX 024214EX 024474EX		Quantity depends on the system rating
12	End clamp EX	024234EX 024494EX	1	
13	Towing rope	020322-02EX		Quantity depends on the system rating
14	End clamp (eye)	020218-08	1	
15	Cable			Quantity depends on the system rating

Cable trolleys Program 200 ATEX

TDB0200-0001a-E


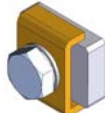
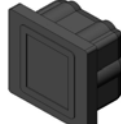
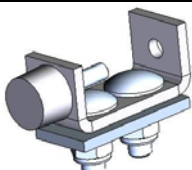

6 Catalog Numbers program 230 ATEX

6.1 General components

Designation	Catalog Number	
C-rail	023200-4 (4 m) 023200-6 (6 m)	
Support arm	020275-0250 020275-0315 020275-0400 020275-0500 020275-0550 020275-0650 020275-0750 020275-0800 020275-0950 020275-1000	
Track coupler	023210EX	
Track support bracket	023226	
Earth connection clamp	02-E007-0001	

Cable trolleys Program 200 ATEX

TDB0200-0001a-E

Designation	Catalog Number	
Grounding conductor	02-S215-0006	
Grounding conductor connecting piece	02-S215-0002	
End cap	020662-30	
End stop	023218	
Towing rope	020322-02EX	
End clamp (eye)	020218-08	

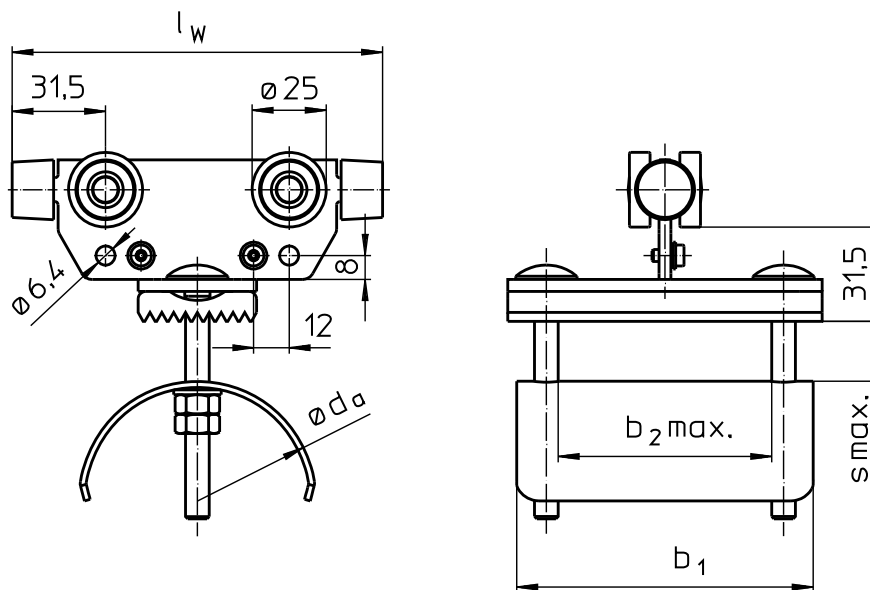
The cable trolley program 230 ATEX can be completed with other specific components of the standard program 230.

Cable trolleys Program 200 ATEX

TDB0200-0001a-E

7 Special components program 230 ATEX for flat cables

7.1 Cable trolley 230EX for flat cables

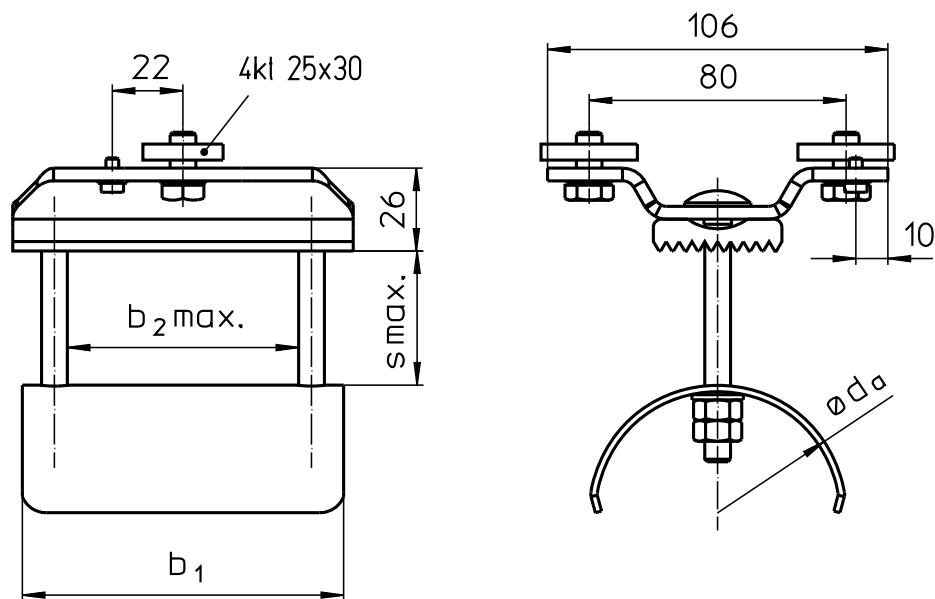


Catalog Number	$\frac{d_a}{\text{mm}}$	$\frac{l_w}{\text{mm}}$	$\frac{b_1}{\text{mm}}$	$\frac{b_{2\text{max.}}}{\text{mm}}$	$\frac{s_{\text{max.}}}{\text{mm}}$	weight kg
023330-100x100EX	80	100	100	72	8	0,64
023330-125x100EX		125	100	72	20	0,65
023330-125x160EX			160	132		0,86
023330-160x100EX		160	100	72	38	0,70
023330-160x160EX			160	132		0,90
023330-200x100EX		200	100	72	58	0,77
023330-200x160EX	160		132	0,97		
023332-160x100EX	125	160	100	72	15	0,82
023332-160x160EX			160	132		1,11
023332-200x100EX		200	100	72	35	0,87
023332-200x160EX			160	132		1,16
023332-250x100EX		250	100	72	60	0,94
023332-250x160EX			160	132		0,94
023333-200x100EX	160	200	100	72	18	1,02
023333-200x160EX			160	132		1,40
023333-250x100EX		250	100	72	42	0,95
023333-250x160EX			160	132		1,34

Cable trolleys Program 200 ATEX

TDB0200-0001a-E

7.2 End clamp 230EX for flat cables

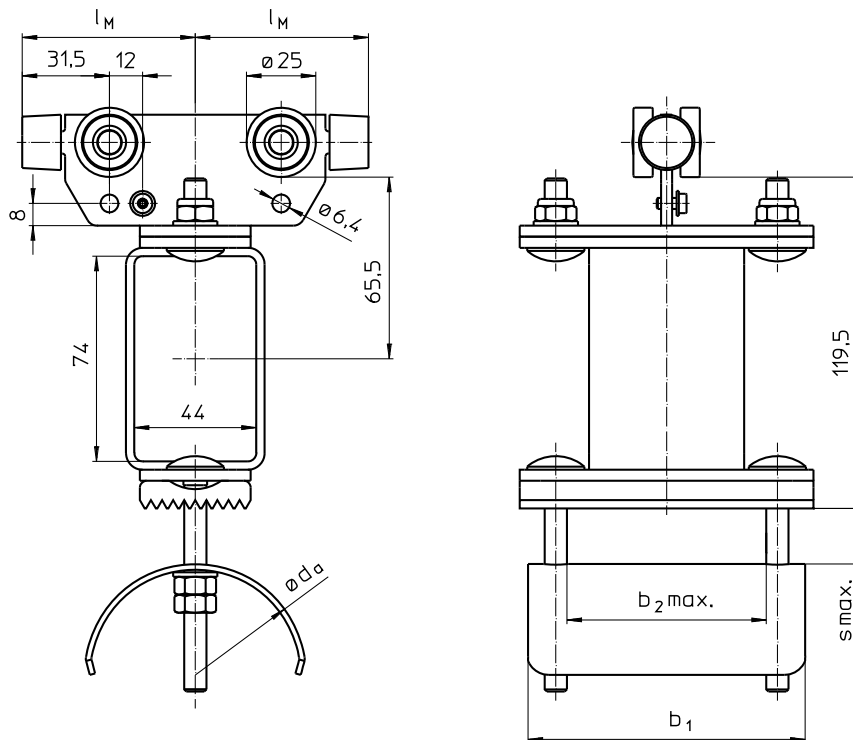


Catalog Number	$\frac{d_a}{\text{mm}}$	$\frac{b_1}{\text{mm}}$	$\frac{b_{2\text{max.}}}{\text{mm}}$	$\frac{s_{\text{max.}}}{\text{mm}}$	weight kg
024230-100x042EX	80	100	72	42	0,68
024230-100x062EX				62	0,70
024230-160x042EX		160	132	42	0,93
024230-160x062EX				62	0,95
024232-100x042EX	125	100	72	42	0,80
024232-100x062EX				62	0,82
024232-160x042EX		160	132	42	1,13
024232-160x062EX				62	1,15
024233-100x042EX	160	100	72	42	1,00
024233-100x062EX				62	1,02
024233-160x042EX		160	132	42	1,40
024233-160x062EX				62	1,42

Cable trolleys Program 200 ATEX

TDB0200-0001a-E

7.3 Towing trolley 230EX for flat cables



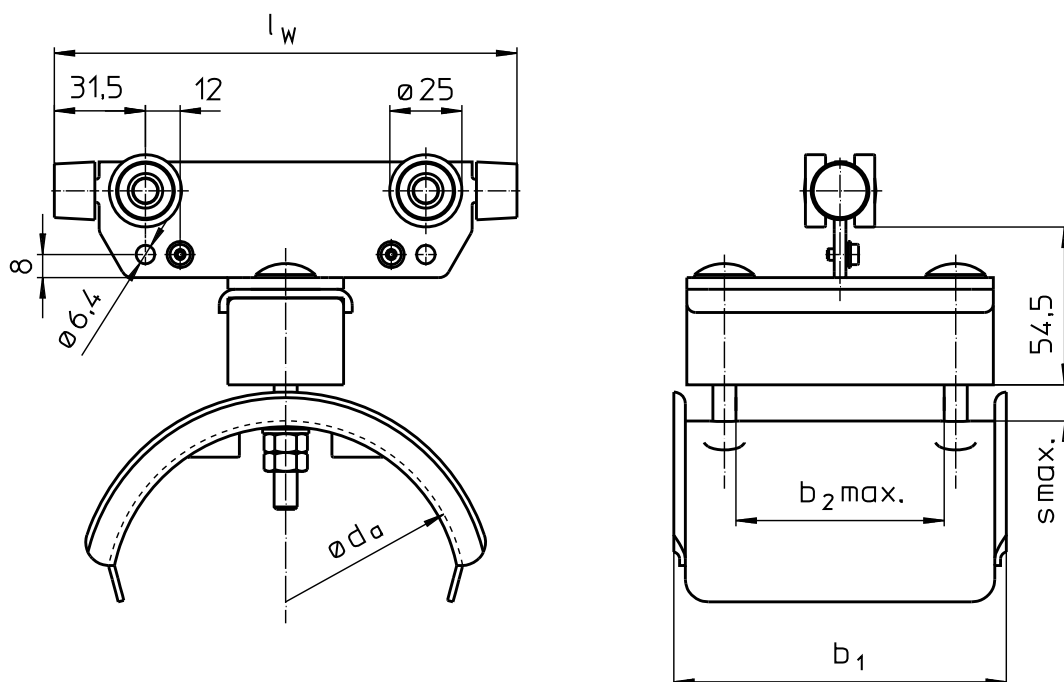
Catalog number	$\frac{d_a}{\text{mm}}$	$\frac{l_M}{\text{mm}}$	$\frac{b_1}{\text{mm}}$	$\frac{b_{2\text{max.}}}{\text{mm}}$	$\frac{s_{\text{max.}}}{\text{mm}}$	$\frac{\text{weight}}{\text{kg}}$	
023335-125x100EX	80	62,5	100	72	20	1,19	
023335-125x160EX			160	132		1,52	
023335-160x100EX		80	80	100	72	38	1,24
023335-160x160EX				160	132		1,56
023335-200x100EX		100	100	100	72	58	1,31
023335-200x160EX				160	132		1,63
023337-160x100EX	125	80	100	72	15	1,36	
023337-160x160EX			160	132		1,77	
023337-200x100EX		100	100	100	72	35	1,41
023337-200x160EX				160	132		1,82
023337-250x100EX		125	125	100	72	60	1,48
023337-250x160EX				160	132		1,90
023338-200x100EX	160	100	100	72	18	1,56	
023338-200x160EX			160	132		2,06	
023338-250x100EX		125	100	100	72	42	1,49
023338-250x160EX				160	132		2,00

Cable trolleys Program 200 ATEX

TDB0200-0001a-E

8 Special components program 230 ATEX for round cables

8.1 Cable trolley 230EX for round cables

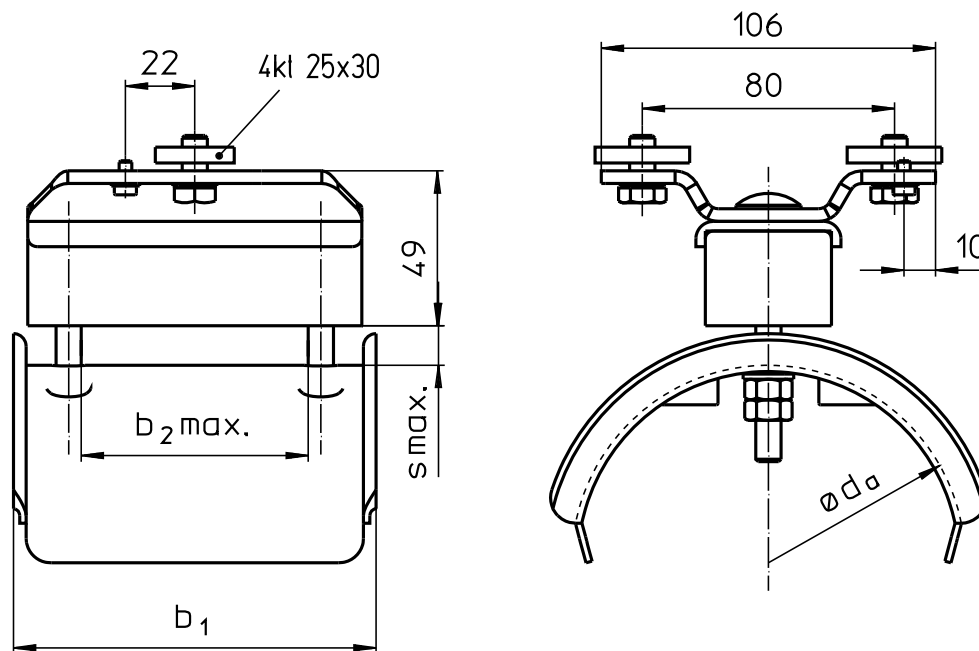


Catalog number	$\frac{d_a}{\text{mm}}$	$\frac{l_w}{\text{mm}}$	$\frac{b_1}{\text{mm}}$	$\frac{b_{2\text{max.}}}{\text{mm}}$	$\frac{S_{\text{max.}}}{\text{mm}}$	weight kg
023345-160x100EX	125	160	115	72	12,5	0,90
023345-160x160EX			175	132		1,19
023345-200x100EX	160	200	115	72	16	1,20
023345-200x160EX			175	132		1,59
023345-250x100EX	200	250	115	72	20	1,35
023345-250x160EX			175	132		1,88
023345-320x100EX	250	320	115	72	25	1,77
023345-320x160EX			175	132		2,25

Cable trolleys Program 200 ATEX

TDB0200-0001a-E

8.2 End clamp 230EX for round cables

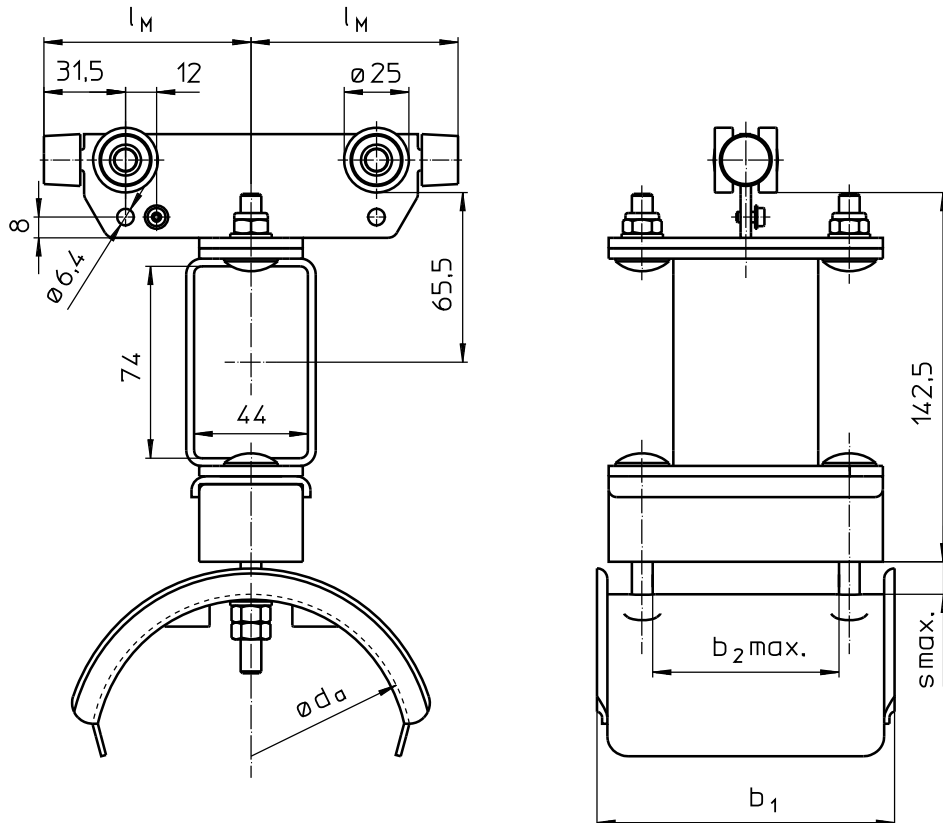


Catalog number	$\frac{d_a}{\text{mm}}$	$\frac{b_1}{\text{mm}}$	$\frac{b_{2\text{max.}}}{\text{mm}}$	$\frac{S_{\text{max.}}}{\text{mm}}$	$\frac{\text{weight}}{\text{kg}}$
024462-100EX	125	115	72	12,5	0,95
024462-160EX		175	132		1,37
024463-100EX	160	115	72	16	1,05
024463-160EX		175	132		1,53
024264-100EX	200	115	72	20	1,17
024464-160EX		175	132		1,71
024465-100EX	250	115	72	25	1,33
024465-160EX		175	132		1,93

Cable trolleys Program 200 ATEX

TDB0200-0001a-E

8.3 Towing trolley 230EX for round cables

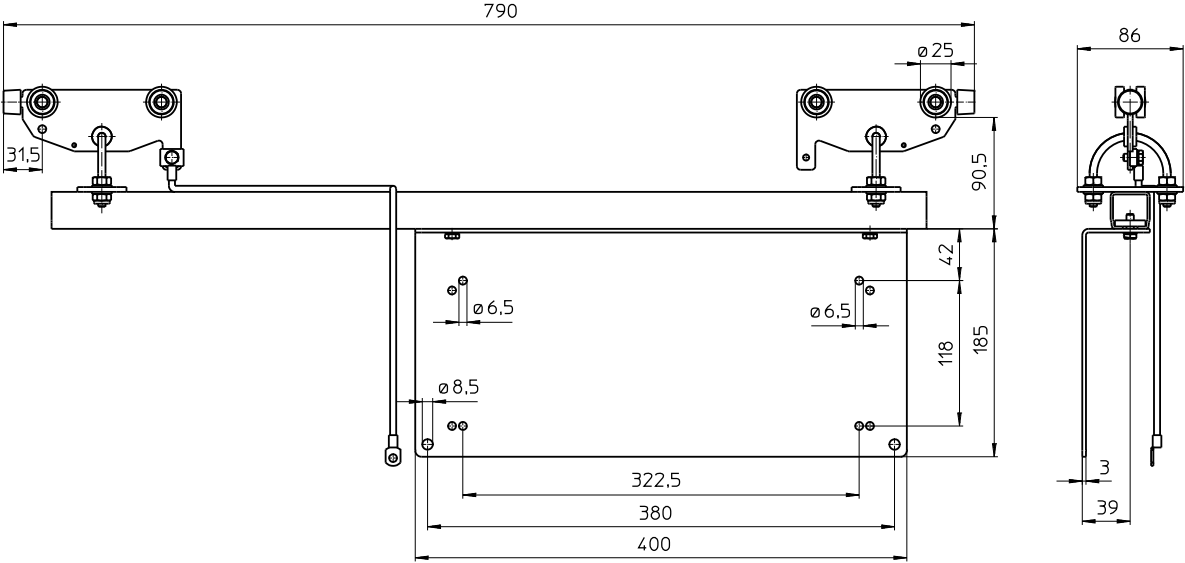


Catalog number	$\frac{d_a}{\text{mm}}$	$\frac{l_M}{\text{mm}}$	$\frac{b_1}{\text{mm}}$	$\frac{b_{2\text{max.}}}{\text{mm}}$	$\frac{S_{\text{max.}}}{\text{mm}}$	$\frac{\text{weight}}{\text{kg}}$
023347-160x100EX	125	80	115	72	12,5	1,45
023347-160x160EX			175	132		1,90
023347-200x100EX	160	100	115	72	16	1,68
023347-200x160EX			175	132		2,14
023347-250x100EX	200	125	115	72	20	1,83
023347-250x160EX			175	132		2,43
023347-320x100EX	250	160	115	72	25	2,25
023347-320x160EX			175	132		2,80

Cable trolleys Program 200 ATEX

TDB0200-0001a-E

9 Control unit trolley 230 ATEX



Catalog number						weight kg
02-S023-0325						4,5

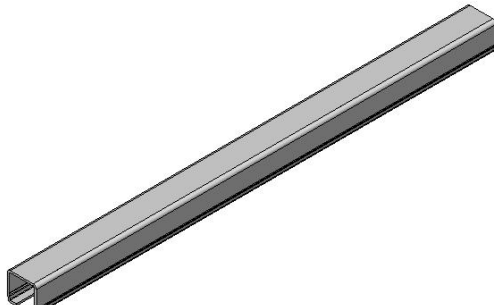
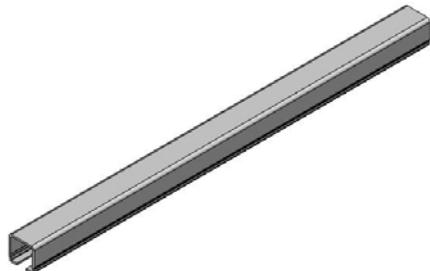
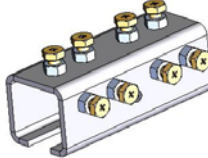
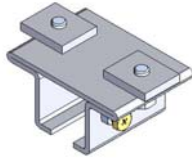
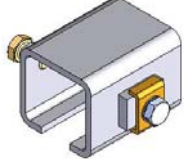
The terminal box to the control unit trolley is not included in the delivery and cannot be supplied with the ATEX certification.

Cable trolleys Program 200 ATEX

TDB0200-0001a-E

10 Catalog numbers program 240 ATEX

10.1 General components

Designation	Catalog number	
C-rail	024100-4 (4 m) 024100-6 (6 m)	
Support arm	020186-0250 020186-0315 020186-0400 020186-0500 020186-0630 020186-0800 020186-1000 020186-1250	
Track coupler	024105EX	
Track support bracket	024122	
Earth connection clamp	02-E007-0002	

Cable trolleys Program 200 ATEX

TDB0200-0001a-E

Designation	Catalog number	
Grounding conductor	02-S215-0006	
Grounding conductor connecting piece	02-S215-0002	
End cap	020662-40	
End stop	024111	
Towing rope	020322-02EX	
End clamp (eye)	020218-08	

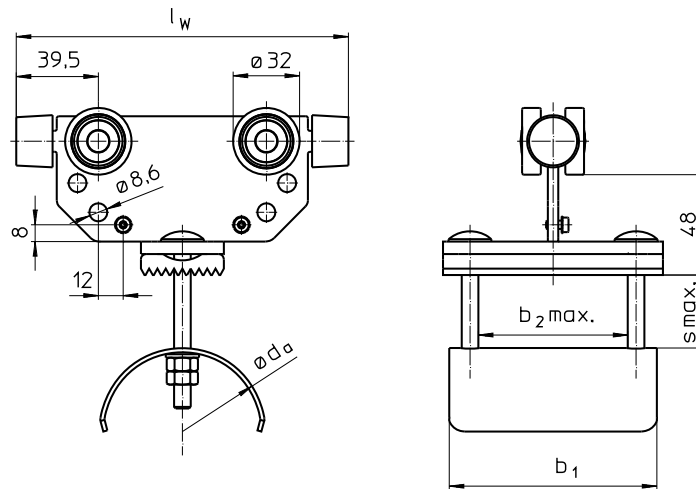
The cable trolley program 240 ATEX can be completed with other specific components of the standard program 240.

Cable trolleys Program 200 ATEX

TDB0200-0001a-E

11 Special components program 240 ATEX for flat cables

11.1 Cable trolley 240EX for flat cables, support diameter 80, 125, 160

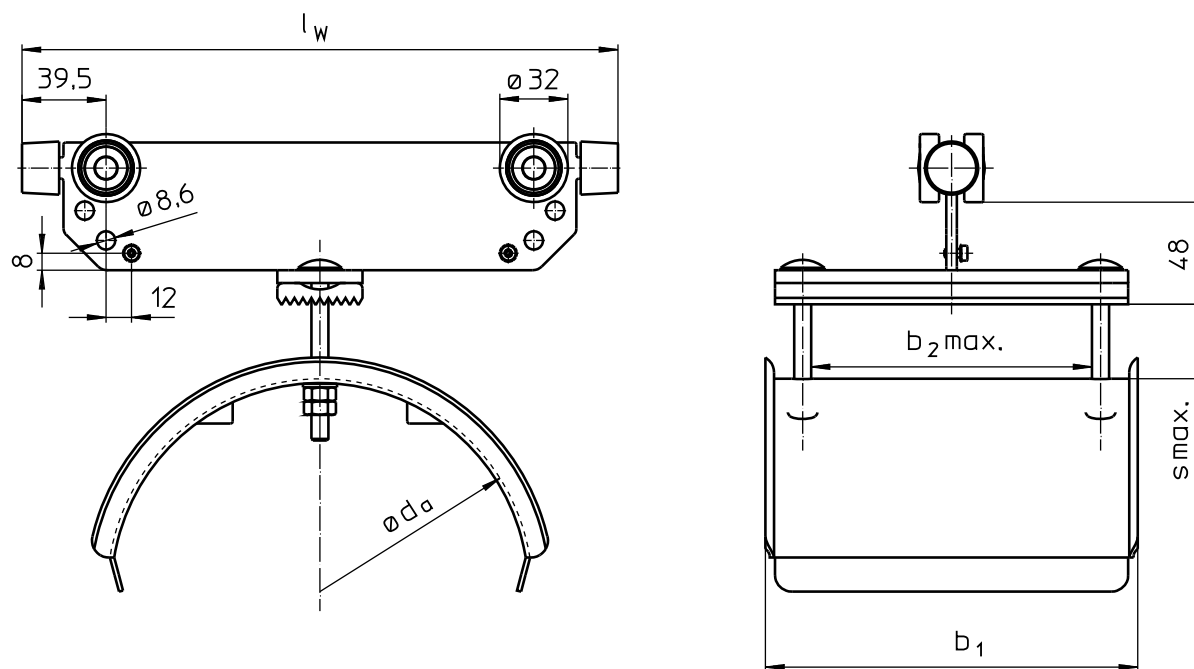


Catalog number	$\frac{d_a}{\text{mm}}$	$\frac{l_w}{\text{mm}}$	$\frac{b_1}{\text{mm}}$	$\frac{b_{2\text{max.}}}{\text{mm}}$	$\frac{s_{\text{max.}}}{\text{mm}}$	weight kg
024210-125x100EX	80	125	100	72	20	0,85
024210-125x160EX			160	132		1,09
024210-160x100EX		160	100	72	38	0,93
024210-160x160EX			160	132		1,17
024210-200x100EX		200	100	72	58	1,05
024210-200x160EX			160	132		1,29
024212-160x100EX	125	160	100	72	15	1,05
024212-160x160EX			160	132		1,38
024212-200x100EX		200	100	72	35	1,15
024212-200x160EX			160	132		1,48
024212-250x100EX		250	100	72	60	1,39
024212-250x160EX			160	132		1,72
024213-200x100EX	160	200	100	72	18	1,30
024213-200x160EX			160	132		1,72
024213-250x100EX		250	100	72	42	1,40
024213-250x160EX			160	132		1,82
024213-280x100EX		280	100	72	58	1,50
024213-280x160EX			160	132		1,92

Cable trolleys Program 200 ATEX

TDB0200-0001a-E

11.2 Cable trolley 240EX for flat cables, support diameter 200

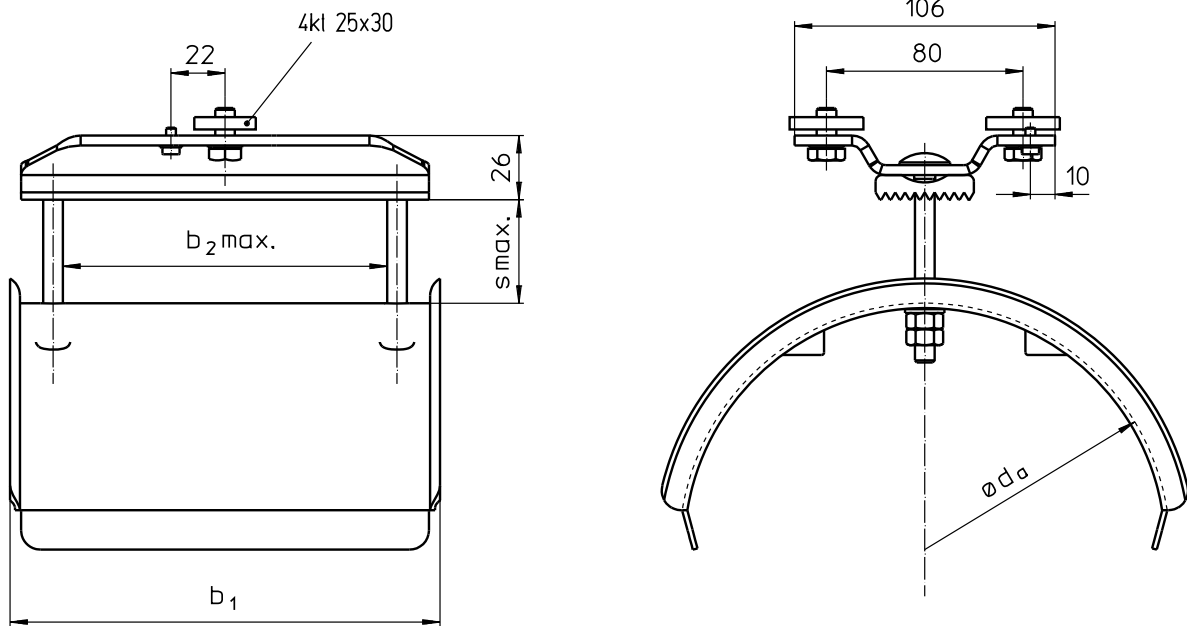


Catalog number	$\frac{d_a}{\text{mm}}$	$\frac{l_w}{\text{mm}}$	$\frac{b_1}{\text{mm}}$	$\frac{b_{2\text{max.}}}{\text{mm}}$	$\frac{s_{\text{max.}}}{\text{mm}}$	$\frac{\text{weight}}{\text{kg}}$	
024214-250x100EX	200	250	115	72	22	1,50	
024214-250x160EX			175	132		2,07	
024214-280x100EX		280	115	72	38	1,60	
024214-280x160EX			175	132		2,17	
024214-320x100EX		320	320	115	72	58	1,70
024214-320x160EX				175	132		2,27

Cable trolleys Program 200 ATEX

TDB0200-0001a-E

11.3 End clamp 240EX for flat cables

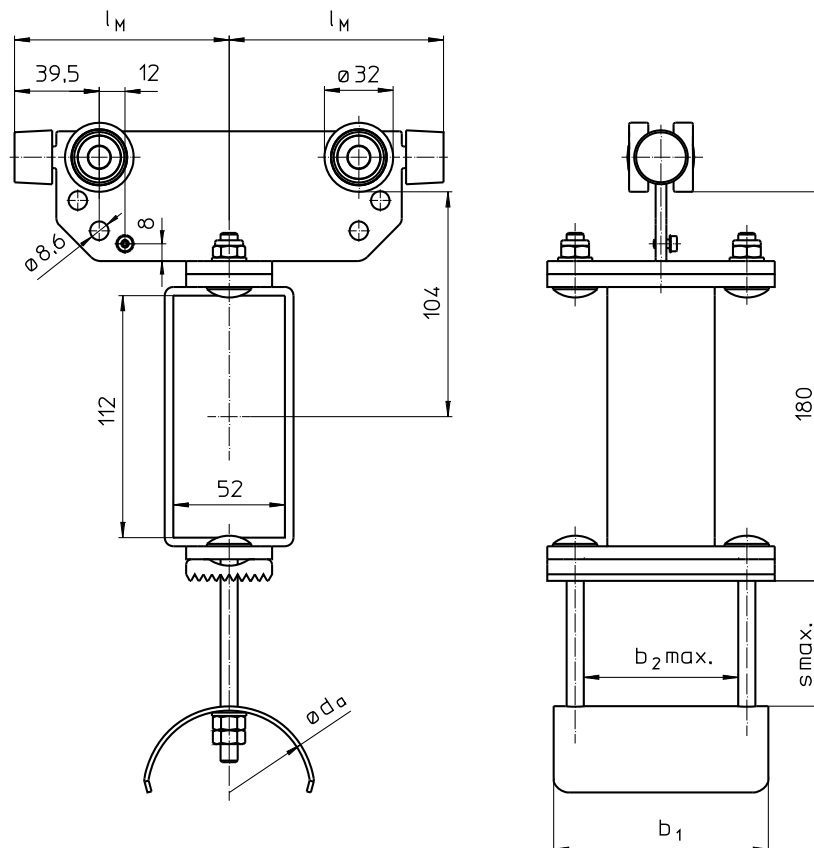


Catalog number	$\frac{d_a}{\text{mm}}$	$\frac{b_1}{\text{mm}}$	$\frac{b_{2\text{max.}}}{\text{mm}}$	$\frac{S_{\text{max.}}}{\text{mm}}$	$\frac{\text{weight}}{\text{kg}}$
024234-100x042EX	200	115	72	42	1,10
024234-100x062EX				62	1,12
024234-160x042EX		175	132	42	1,65
024234-160x062EX				62	1,67

Cable trolleys Program 200 ATEX

TDB0200-0001a-E

11.4 Towing trolley 240EX for flat cables, support diameter 80, 125, 160

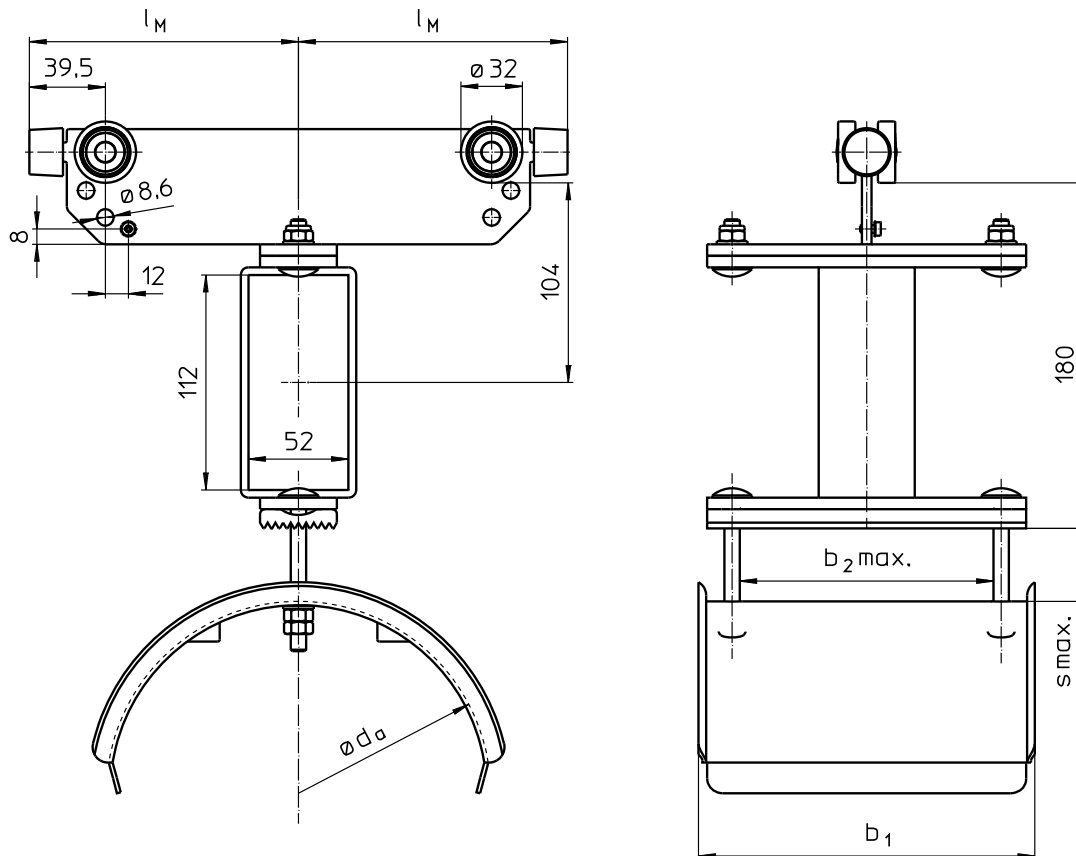


Catalog number	$\frac{d_a}{\text{mm}}$	$\frac{l_M}{\text{mm}}$	$\frac{b_1}{\text{mm}}$	$\frac{b_{2\text{max.}}}{\text{mm}}$	$\frac{s_{\text{max.}}}{\text{mm}}$	weight kg	
024220-200x100EX	80	100	100	72	58	1,83	
024220-200x160EX			160	132		2,17	
024222-200x100EX	125	100	100	72	35	1,93	
024222-200x160EX			160	132		2,36	
024222-250x100EX		125	125	100	72	60	2,16
024222-250x160EX				160	132		2,60
024223-200x100EX	160	100	100	72	18	2,07	
024223-200x160EX			160	132		2,60	
024223-250x100EX		125	125	100	72	42	2,17
024223-250x160EX				160	132		2,70
024223-280x100EX		140	140	100	72	58	2,27
024223-280x160EX				160	132		2,80

Cable trolleys Program 200 ATEX

TDB0200-0001a-E

11.5 Towing trolley 240EX support diameter 200



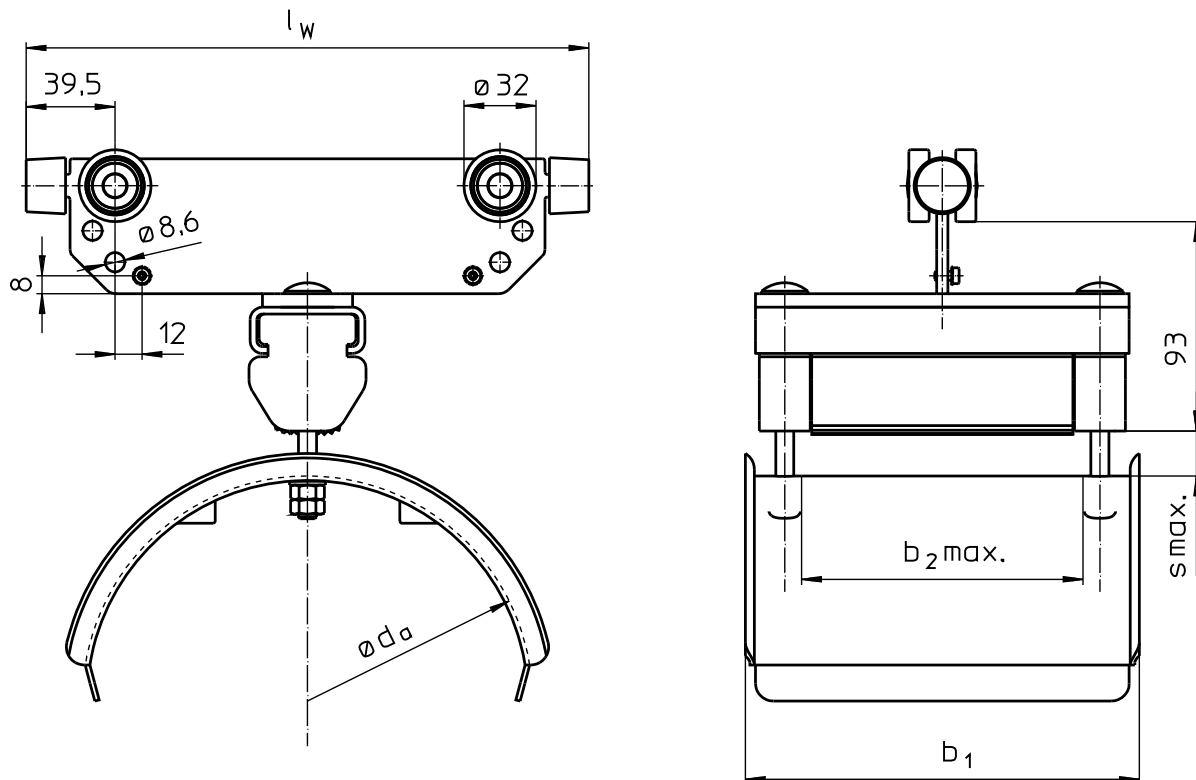
Catalog number	$\frac{d_a}{\text{mm}}$	$\frac{l_M}{\text{mm}}$	$\frac{b_1}{\text{mm}}$	$\frac{b_{2\text{max.}}}{\text{mm}}$	$\frac{s_{\text{max.}}}{\text{mm}}$	weight kg	
024224-250x100EX	200	125	115	72	22	2,27	
024224-250x160EX			175	132		2,95	
024224-280x100EX		140	115	72	38	2,37	
024224-280x160EX			175	132		3,05	
024224-320x100EX		160	160	115	72	58	2,47
024224-320x160EX				175	132		3,15

Cable trolleys Program 200 ATEX

TDB0200-0001a-E

12 Catalog numbers program 240 ATEX for round cables

12.1 Cable trolley 240EX for round cables

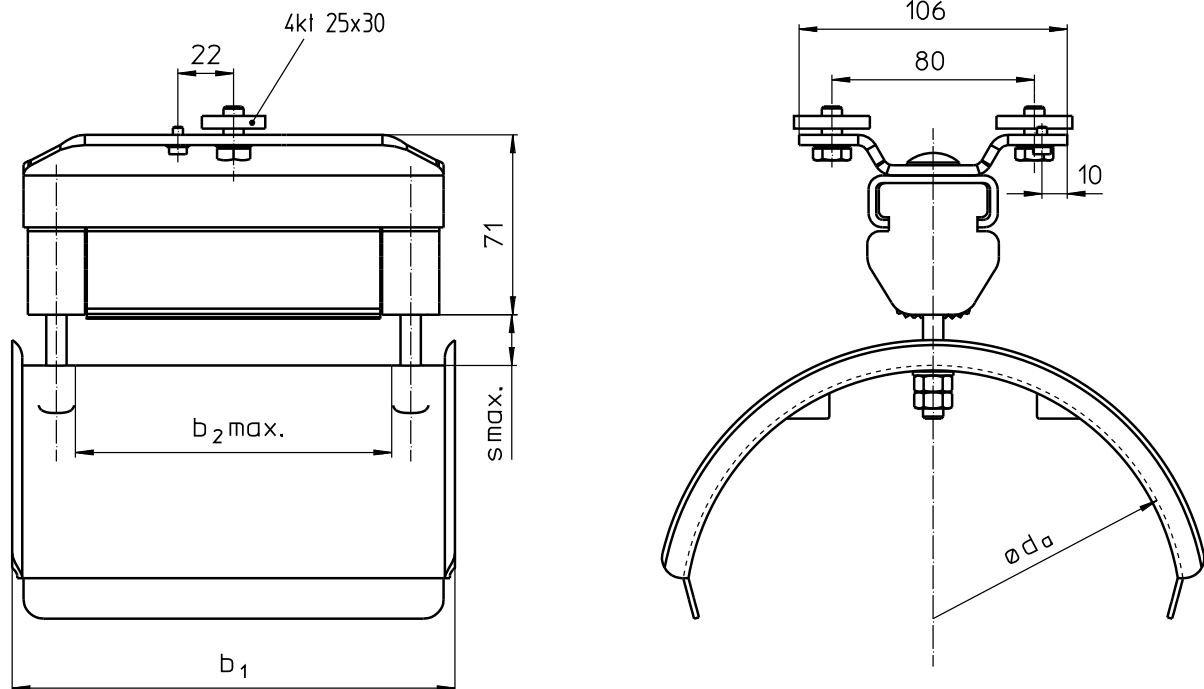


Catalog number	$\frac{d_a}{\text{mm}}$	$\frac{l_w}{\text{mm}}$	$\frac{b_1}{\text{mm}}$	$\frac{b_{2\text{max.}}}{\text{mm}}$	$\frac{s_{\text{max.}}}{\text{mm}}$	$\frac{\text{weight}}{\text{kg}}$
024474-250x100EX	200	250	115	65	20	1,70
024474-250x160EX			175	125		2,27
024475-320x100EX	250	320	115	65	25	2,20
024475-320x160EX			175	125		2,72
024477-400x160EX	320	400	175	125	32	3,52

Cable trolleys Program 200 ATEX

TDB0200-0001a-E

12.2 End clamp 240EX for round cables

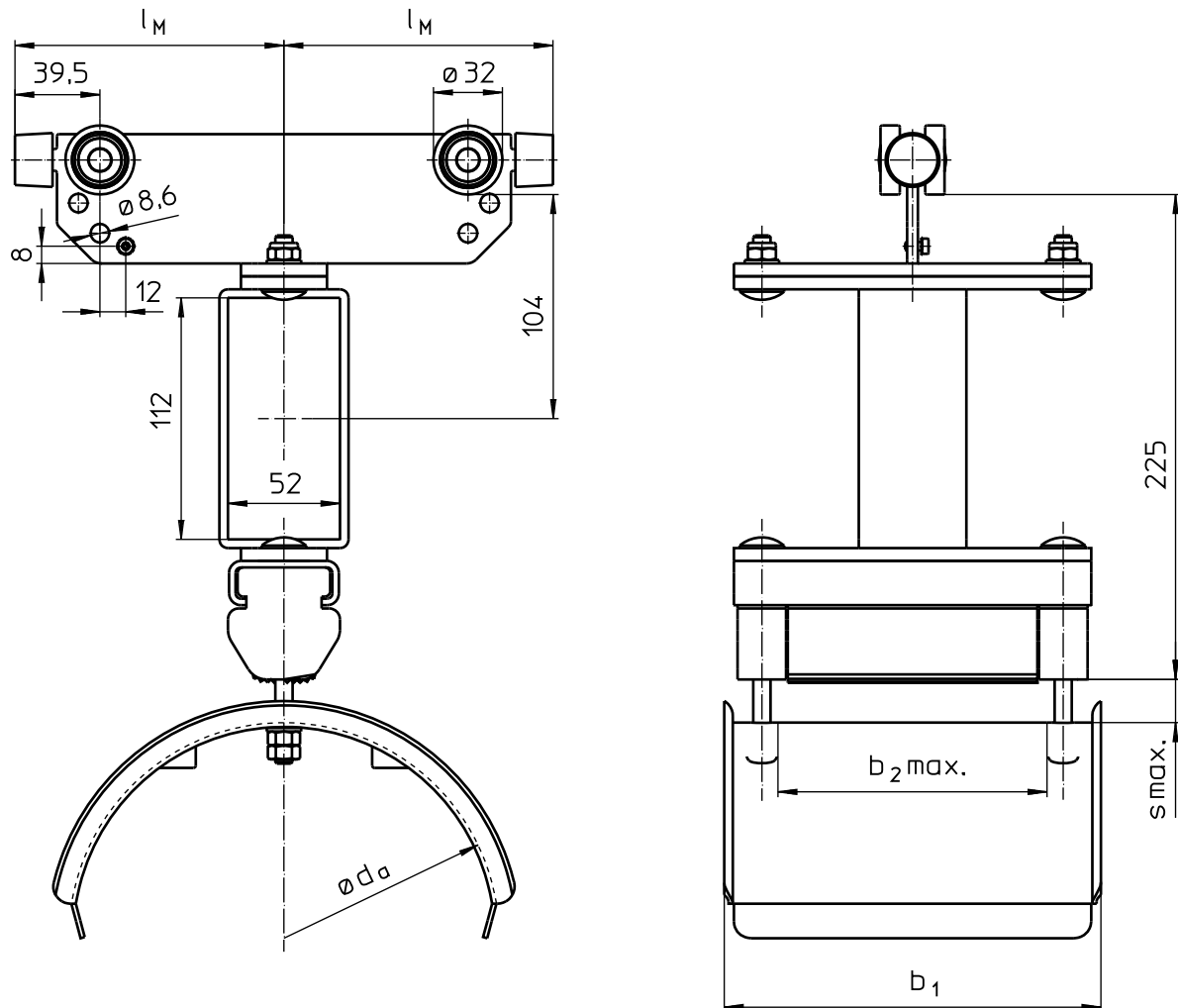


Catalog number	$\frac{d_a}{\text{mm}}$	$\frac{b_1}{\text{mm}}$	$\frac{b_{2\text{max.}}}{\text{mm}}$	$\frac{s_{\text{max.}}}{\text{mm}}$	$\frac{\text{weight}}{\text{kg}}$
024494-100EX	200	115	65	20	1,45
024494-160EX		175	125		2,14
024495-100EX	250	115	65	25	1,60
024495-160EX		175	125		2,36
024497-160EX	320	175	125	32	2,69

Cable trolleys Program 200 ATEX

TDB0200-0001a-E

12.3 Towing trolley 240EX for round cables

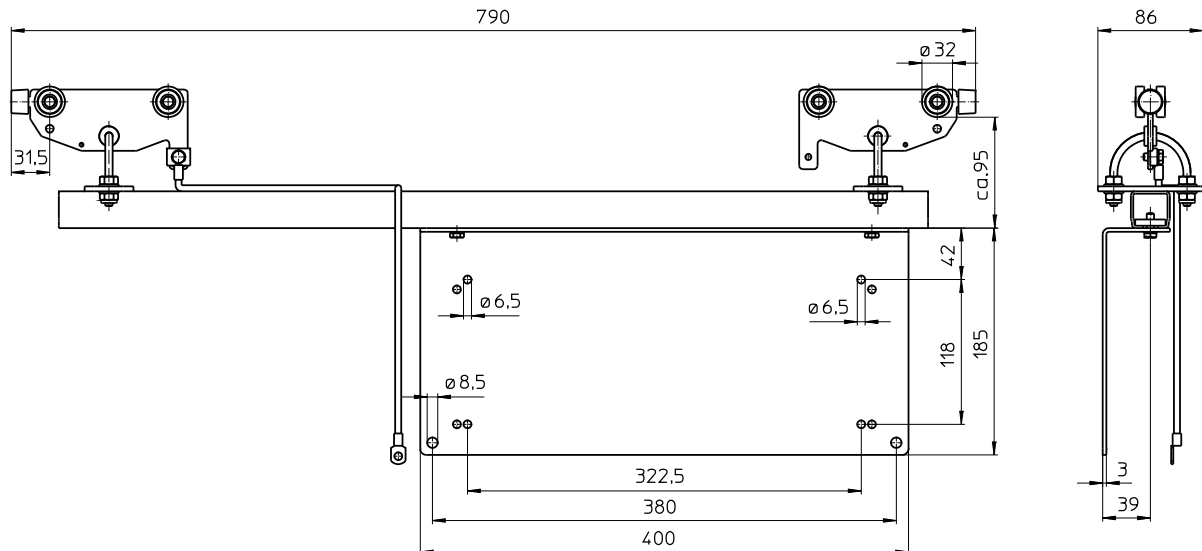


Catalog number	$\frac{d_a}{\text{mm}}$	$\frac{l_M}{\text{mm}}$	$\frac{b_1}{\text{mm}}$	$\frac{b_{2\text{max.}}}{\text{mm}}$	$\frac{s_{\text{max.}}}{\text{mm}}$	$\frac{\text{weight}}{\text{kg}}$
024484-250x100EX	200	125	115	65	20	2,20
024484-250x160EX			175	125		3,07
024485-320x100EX	250	160	115	65	25	2,90
024485-320x160EX			175	125		3,52
024487-400x160EX	320	200	175	125	32	4,32

Cable trolleys Program 200 ATEX

TDB0200-0001a-E

13 Control unit trolley 240 ATEX



Catalog number						weight kg
02-S023-0326						5,3

The terminal box to the control unit trolley is not included in the delivery and cannot be supplied with ATEX certification.