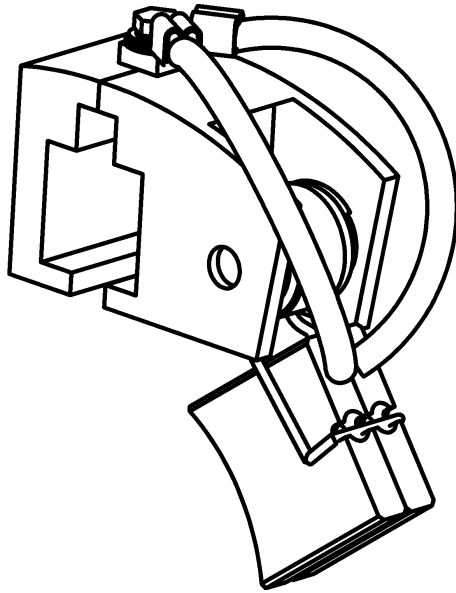


Installation Instructions

P/N 30069: 75 Amp Brush Replacement



New Brush Holder Kit

02802 Single
02804 Double

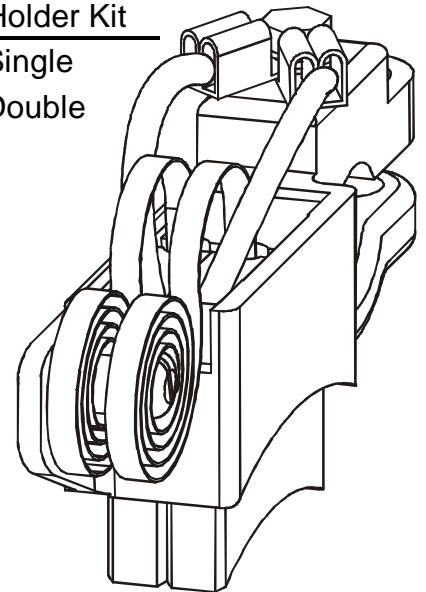
Effective immediately, 75 amp brushes have been replaced by two 35 amp brushes, each of which will actually carry 37.5 amps. The two 35 amp brushes fit side-by-side into a 75 amp holder, either old style, or "R" Series. When wiring, both of the 35 amp brush shunt wires must be brought together under the brush holder terminal screw.

Here is what happens when a 30069_ 75 amp brush is ordered:

Bore Size	Old Part Number	is re- placed with	New Part Number
1.5	30069A or R75-8-1500	=	(2) 30068A
2.5	30069B or R75-8-2500	=	(2) 30068B
4.0	30069C or R75-8-4000	=	(2) 30068C
8.0	30069D or R75-8-8000	=	(2) 30068D

Old Brush Holder Kit

RA3-8 Single
DRA3-8 Double



So if your order calls for (10) 30069B, the packing slip will show (20) 30068B.

This change was made to:

- reduce the number of brush types in inventory and help assure a continuous stock of all sizes
- keep costs in line by increasing the usage quantities of the 35 amp brush

If you have any questions about this product change, please call our Sales Department at 1-800-452-0052.



10102 F Street Omaha, NE 68127-1181 • 402/339-9300 • Fax 402/339-9627
• USA 800/452-0052 800/334-3283 CANADA •